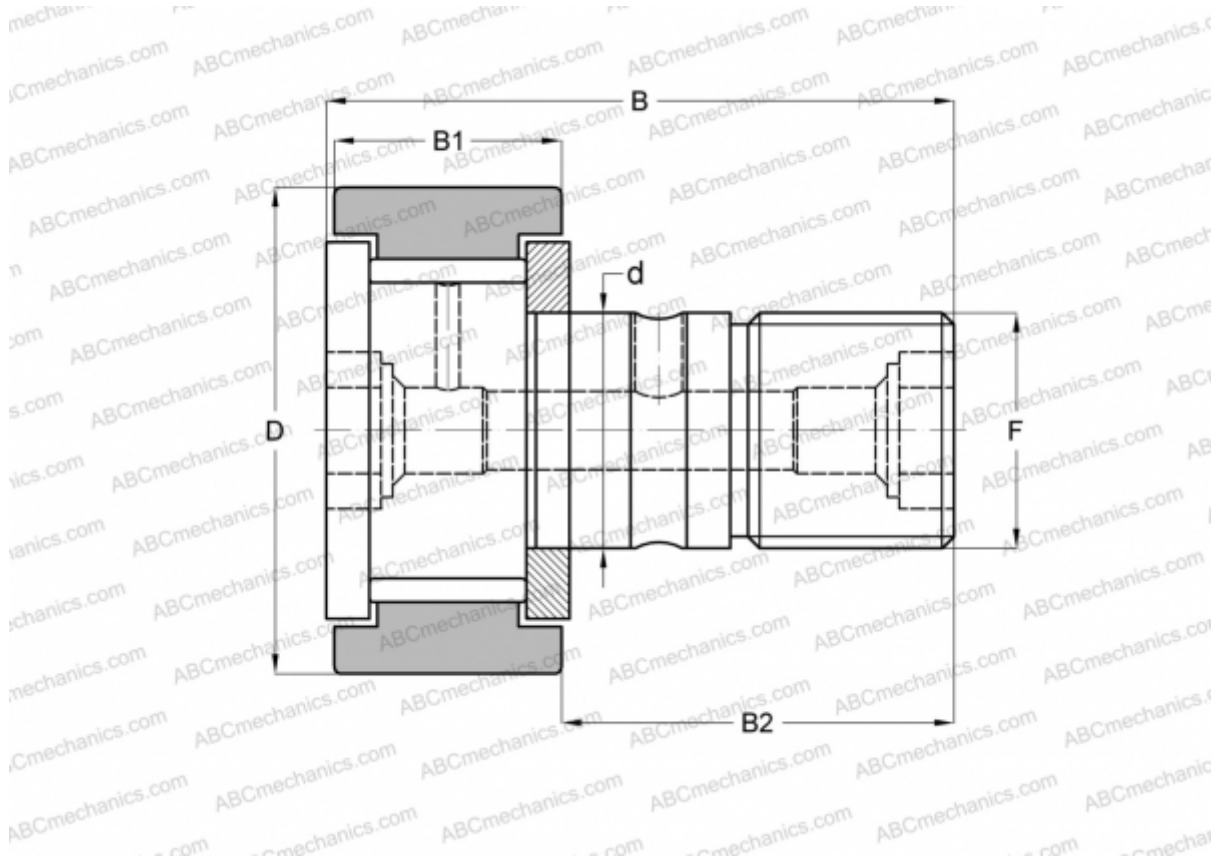


## CR 18 VB IKO

Cam followers

TYPE: Roller bearings, Stud type track rollers, With axial guidance, full complement bearing, gap seal on both side, cylindrical outer ring, hex socket, inch size



### Technical specification

#### DIMENSIONS, MM

d	11,112
D	28,575
B	42,069
B1	16,669
B2	25,400
F	7/16-20

**WEIGHT, KG** 0,088

**MANUFACTURER** [IKO](#)

#### INTERCHANGE

ABC	<a href="#">CR 18 VB</a>
TORRINGTON	<a href="#">CRB-18</a>
INA	<a href="#">CF 18 SK</a>
McGill	<a href="#">CF-1 1/8-B</a>

#### CALCULATION DATA

Basic dynamic load rating, C	13,100 kN
Basic static load rating, Co	22,700 kN