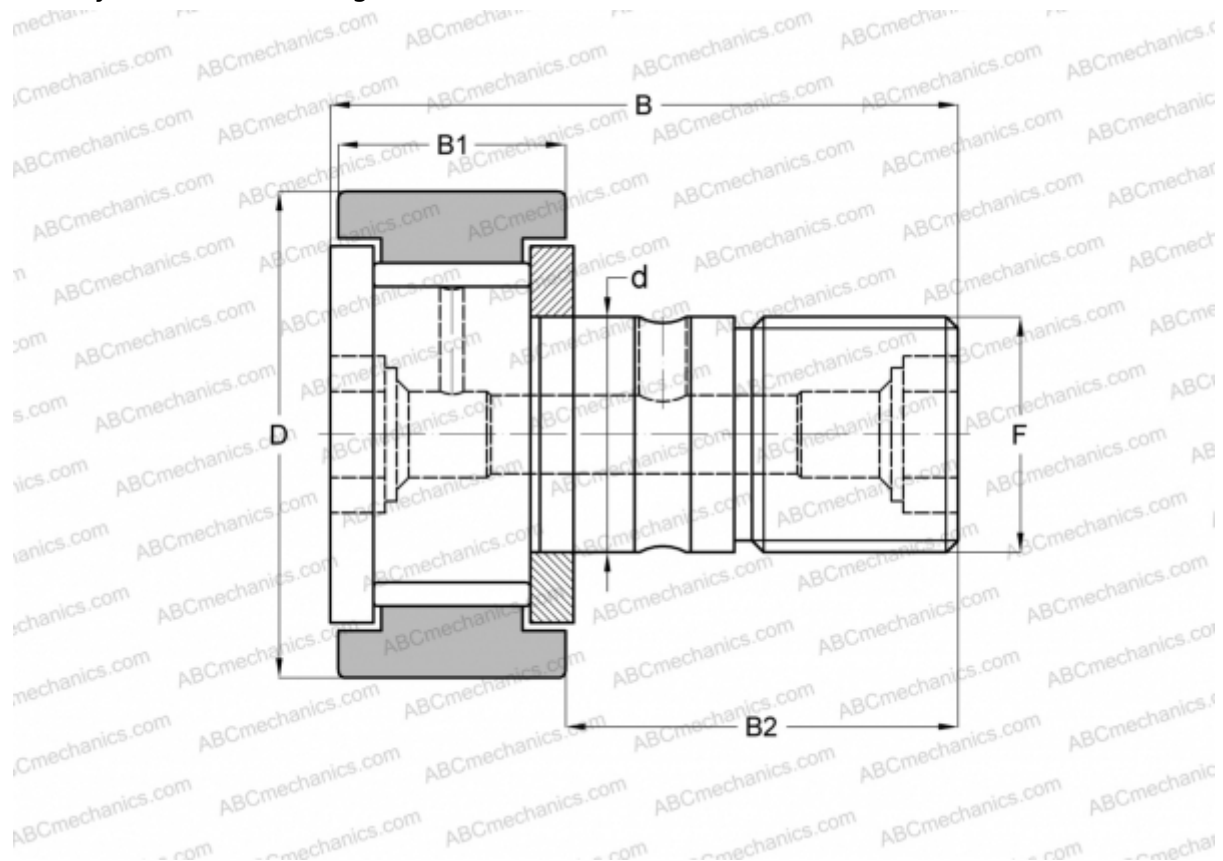


## CR 22 VB ABC

Cam followers

TYPE: Roller bearings, Stud type track rollers, With axial guidance, full complement bearing, gap seal on both side, cylindrical outer ring, hex socket, inch size



### Technical specification

#### DIMENSIONS, MM

d	12,700
D	34,925
B	51,594
B1	19,844
B2	31,750
F	1/2-20

**WEIGHT, KG** 0,157

**MANUFACTURER** [ABC](#)

#### INTERCHANGE

IKO	<a href="#">CR 22 VB</a>
TORRINGTON	<a href="#">CRB-22</a>
INA	<a href="#">CF 22 SK</a>
McGill	<a href="#">CF-1 3/8-B</a>