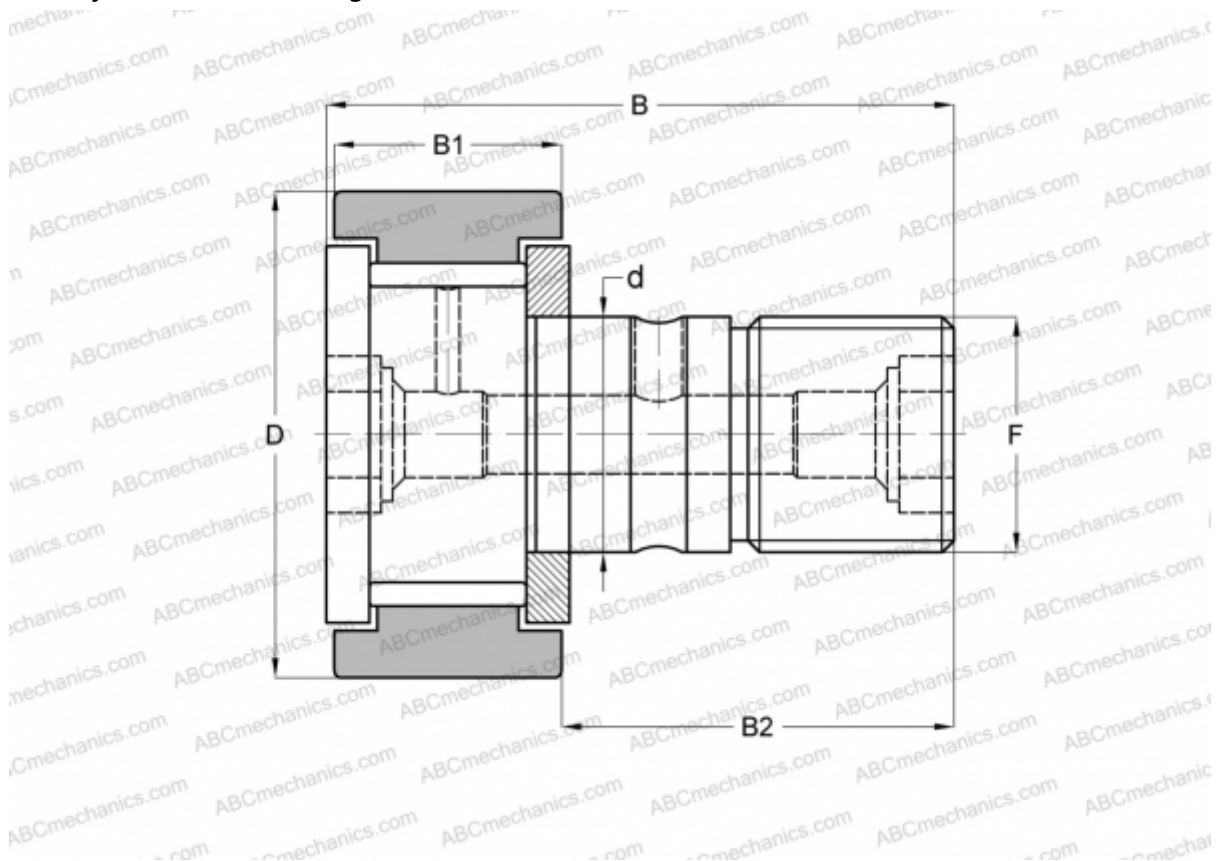


## CRB-24 TORRINGTON

Cam followers

TYPE: Roller bearings, Stud type track rollers, With axial guidance, full complement bearing, gap seal on both side, cylindrical outer ring, hex socket, inch size



### Technical specification

#### DIMENSIONS, MM

|    |        |
|----|--------|
| d  | 15,875 |
| D  | 38,100 |
| B  | 61,119 |
| B1 | 23,019 |
| B2 | 38,100 |
| F  | 5/8-18 |

**WEIGHT, KG** 0,225

**MANUFACTURER** [TORRINGTON](#)

#### INTERCHANGE

|        |                            |
|--------|----------------------------|
| ABC    | <a href="#">CR 24 VB</a>   |
| IKO    | <a href="#">CR 24 VB</a>   |
| INA    | <a href="#">CF 24 SK</a>   |
| McGill | <a href="#">CF-1 1/2-B</a> |