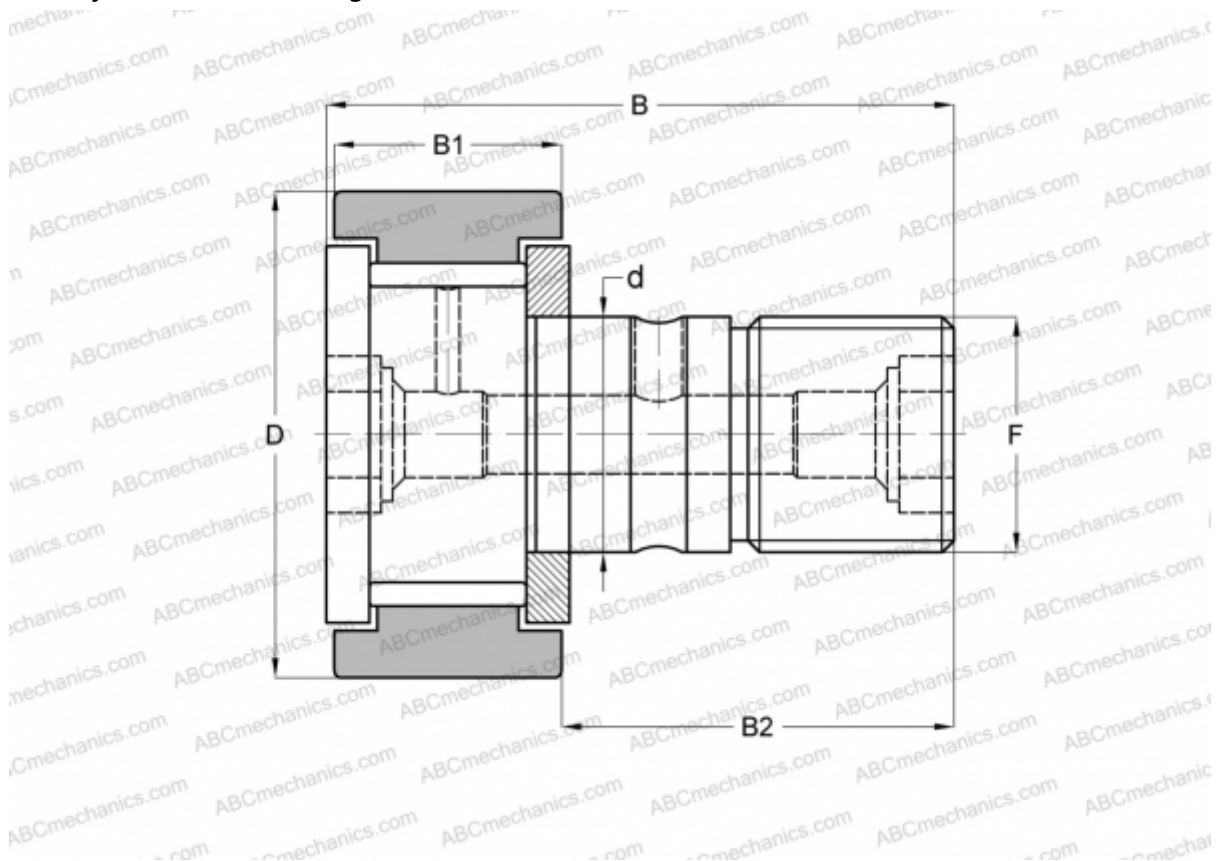


CR 32 VB ABC

Cam followers

TYPE: Roller bearings, Stud type track rollers, With axial guidance, full complement bearing, gap seal on both side, cylindrical outer ring, hex socket, inch size



Technical specification

DIMENSIONS, MM

d	22,225
D	50,800
B	83,344
B1	32,544
B2	50,800
F	7/8-14

WEIGHT, KG 0,615

MANUFACTURER [ABC](#)

INTERCHANGE

IKO	CR 32 VB
TORRINGTON	CRB-32
INA	CF 32 SK
McGill	CF-2-B