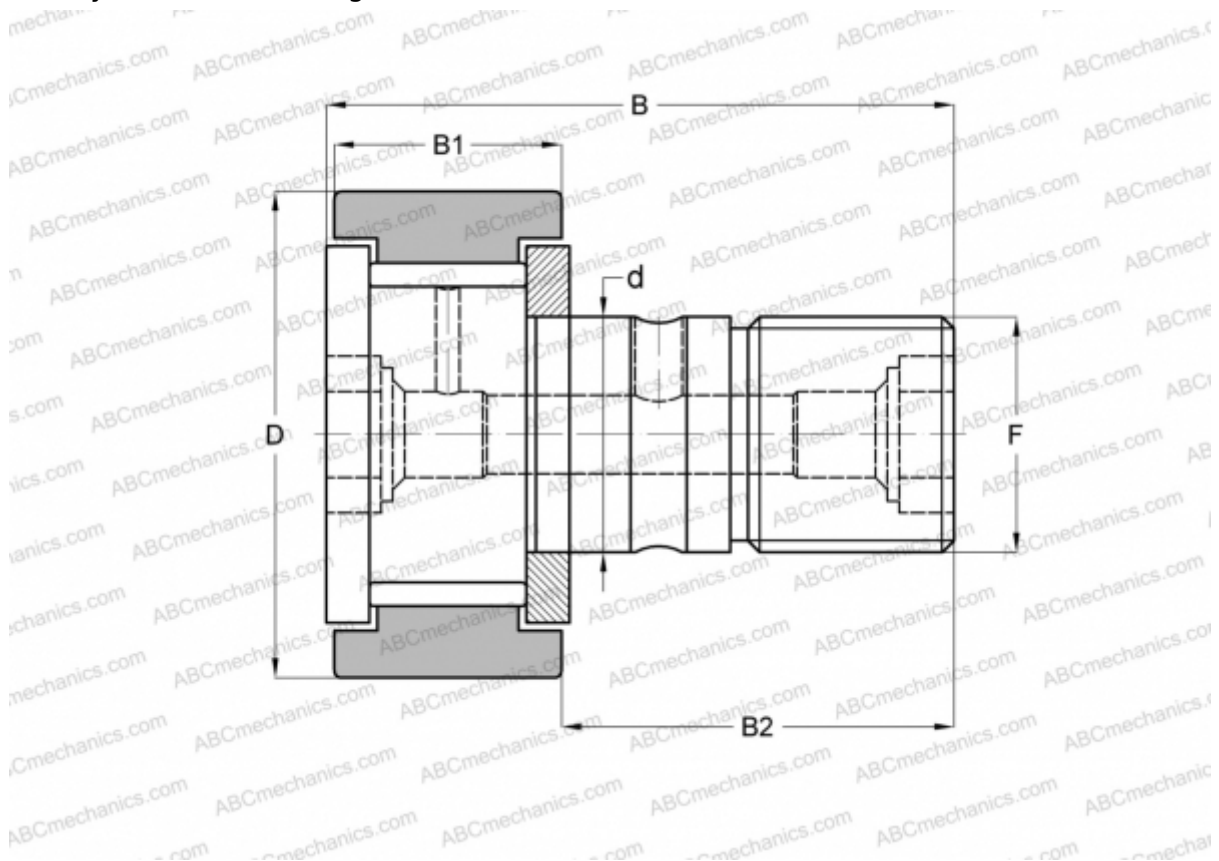


## CRB-32 TORRINGTON

Cam followers

TYPE: Roller bearings, Stud type track rollers, With axial guidance, full complement bearing, gap seal on both side, cylindrical outer ring, hex socket, inch size



### Technical specification

#### DIMENSIONS, MM

d	22,225
D	50,800
B	83,344
B1	32,544
B2	50,800
F	7/8-14

**WEIGHT, KG** 0,615

**MANUFACTURER** [TORRINGTON](#)

#### INTERCHANGE

ABC	<a href="#">CR 32 VB</a>
IKO	<a href="#">CR 32 VB</a>
INA	<a href="#">CF 32 SK</a>
McGill	<a href="#">CF-2-B</a>