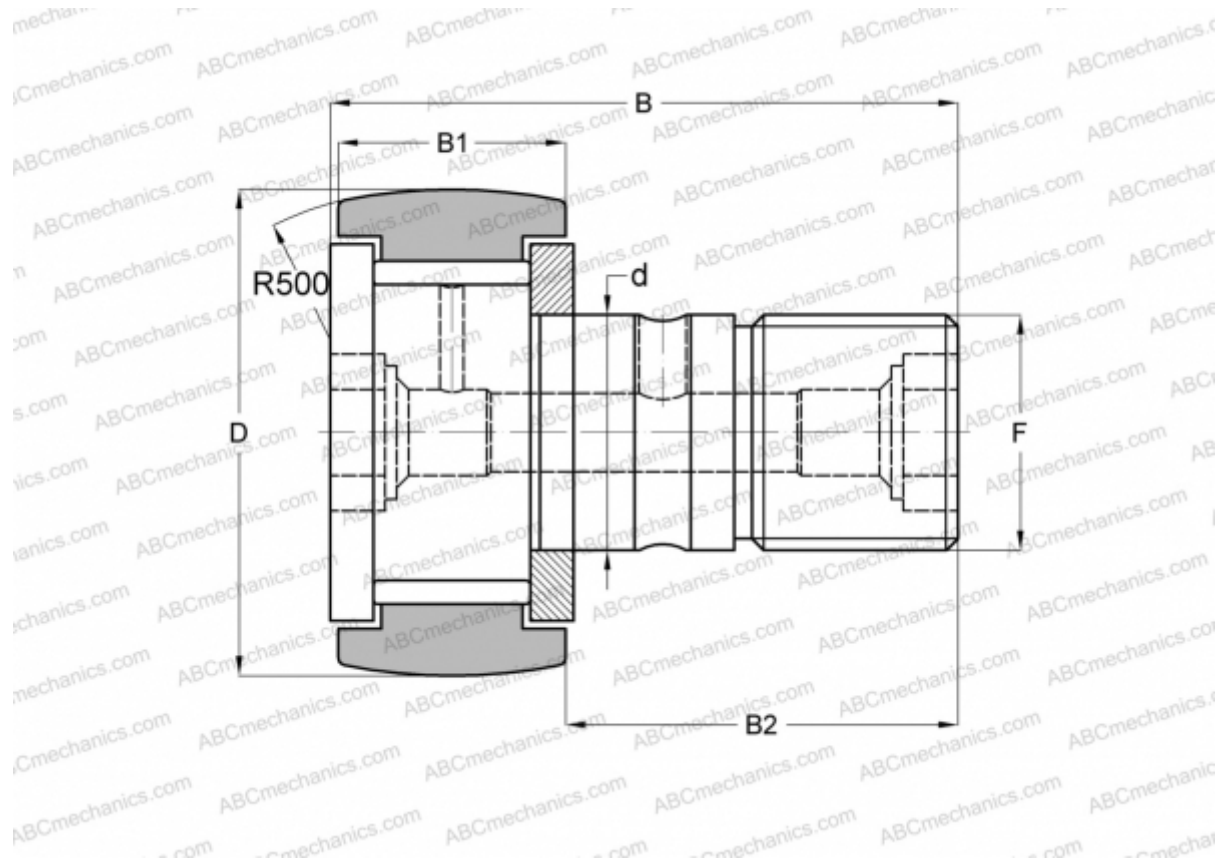


## CR 8 VR IKO

Cam followers

TYPE: Roller bearings, Stud type track rollers, With axial guidance, full complement bearing, gap seal on both side, inch size



### Technical specification

#### DIMENSIONS, MM

d	4,826
D	12,700
B	22,225
B1	9,525
B2	12,700
F	NO. 10-32

**WEIGHT, KG** 0,009

**MANUFACTURER** [IKO](#)

#### INTERCHANGE

ABC	<a href="#">CR 8 VR</a>
TORRINGTON	<a href="#">CRC-8</a>
McGill	<a href="#">CCF-1/2-N</a>

#### CALCULATION DATA

Basic dynamic load rating, C	4,260 kN
Basic static load rating, Co	4,750 kN