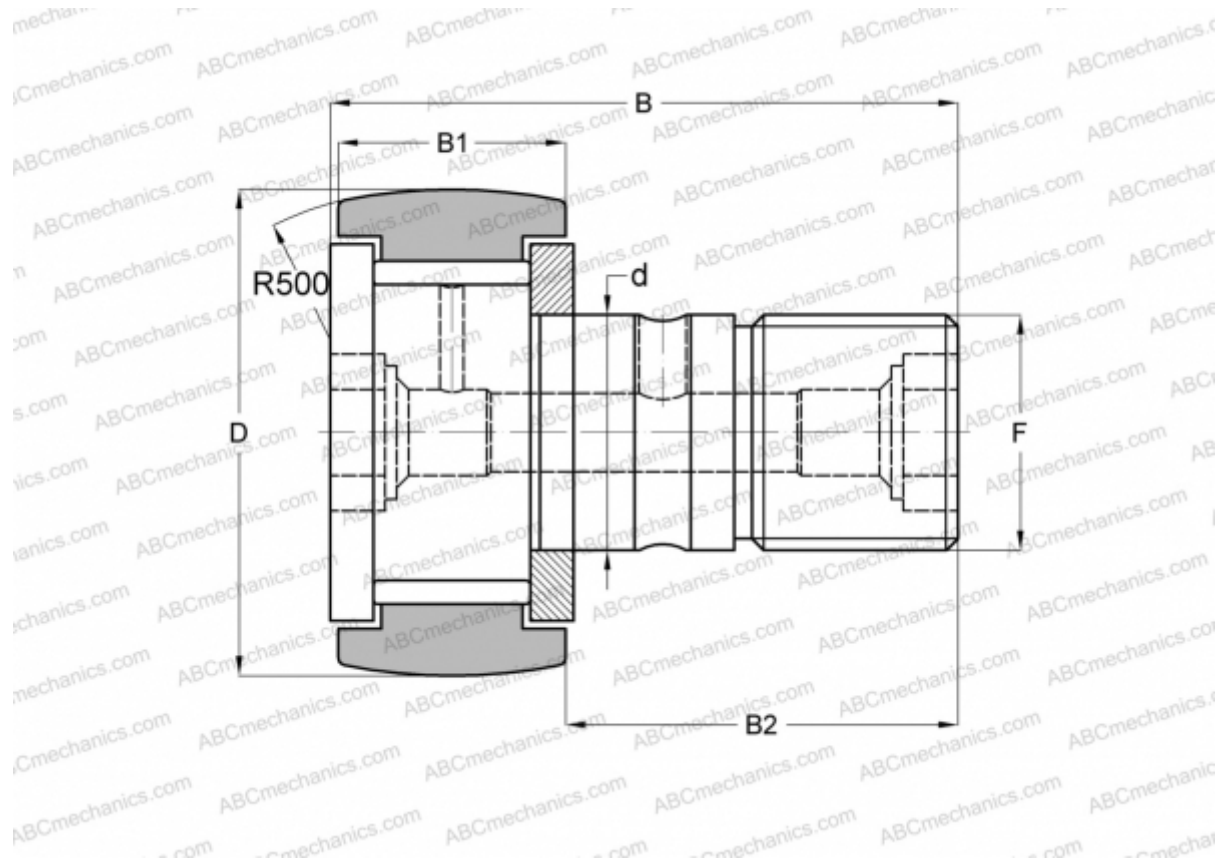


## CR 10 VR IKO

Cam followers

TYPE: Roller bearings, Stud type track rollers, With axial guidance, full complement bearing, gap seal on both side, inch size



### Technical specification

#### DIMENSIONS, MM

d	6,350
D	15,875
B	26,987
B1	11,112
B2	15,875
F	1/4-28

**WEIGHT, KG** 0,019

**MANUFACTURER** [IKO](#)

#### INTERCHANGE

ABC	<a href="#">CR 10 VR</a>
TORRINGTON	<a href="#">CRC-10</a>
McGill	<a href="#">CCF-5/8-N</a>

#### CALCULATION DATA

Basic dynamic load rating, C	5,830 kN
Basic static load rating, Co	7,660 kN