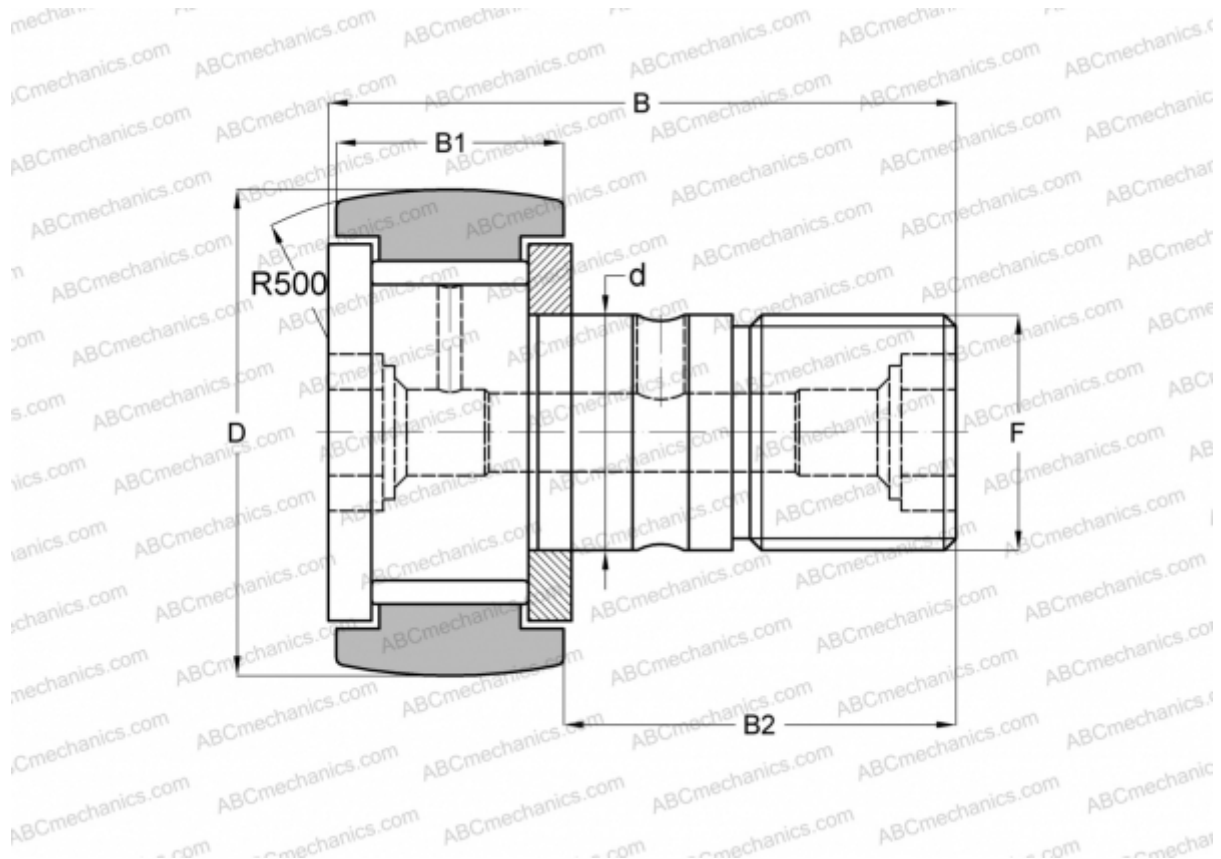


CCF-3/4 McGill

Cam followers

TYPE: Roller bearings, Stud type track rollers, With axial guidance, full complement bearing, gap seal on both side, inch size



Technical specification

DIMENSIONS, MM

d	9,525
D	19,050
B	35,719
B1	13,494
B2	22,225
F	3/8-24

WEIGHT, KG 0,035

MANUFACTURER [McGill](#)

INTERCHANGE

ABC	CR 12 VR
IKO	CR 12 VR
TORRINGTON	CRC-12
INA	CF 12 Y