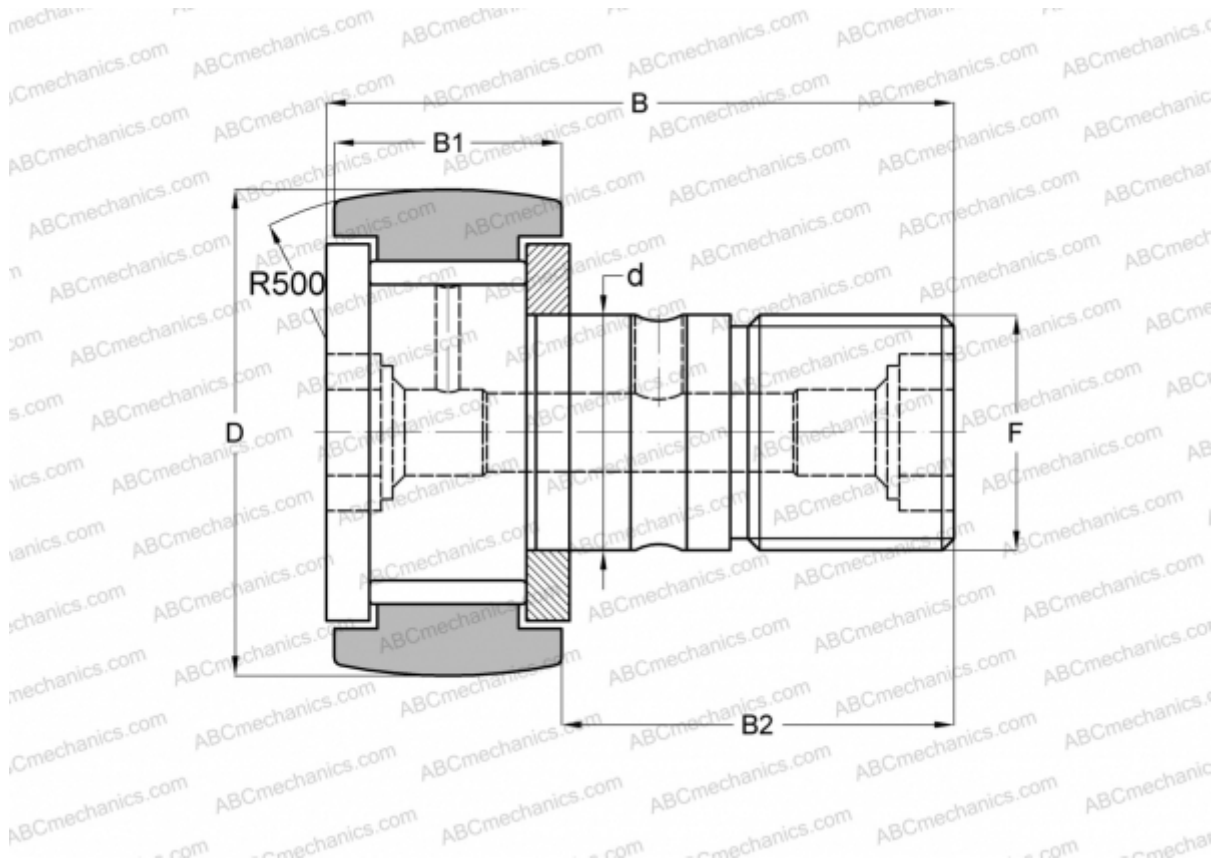


## CRC-14 TORRINGTON

Cam followers

TYPE: Roller bearings, Stud type track rollers, With axial guidance, full complement bearing, gap seal on both side, inch size



### Technical specification

#### DIMENSIONS, MM

d	9,525
D	22,225
B	35,719
B1	13,494
B2	22,225
F	3/8-24

**WEIGHT, KG** 0,046

**MANUFACTURER** [TORRINGTON](#)

#### INTERCHANGE

ABC	<a href="#">CR 14 VR</a>
IKO	<a href="#">CR 14 VR</a>
INA	<a href="#">CF 14 Y</a>
McGill	<a href="#">CCF-7/8</a>