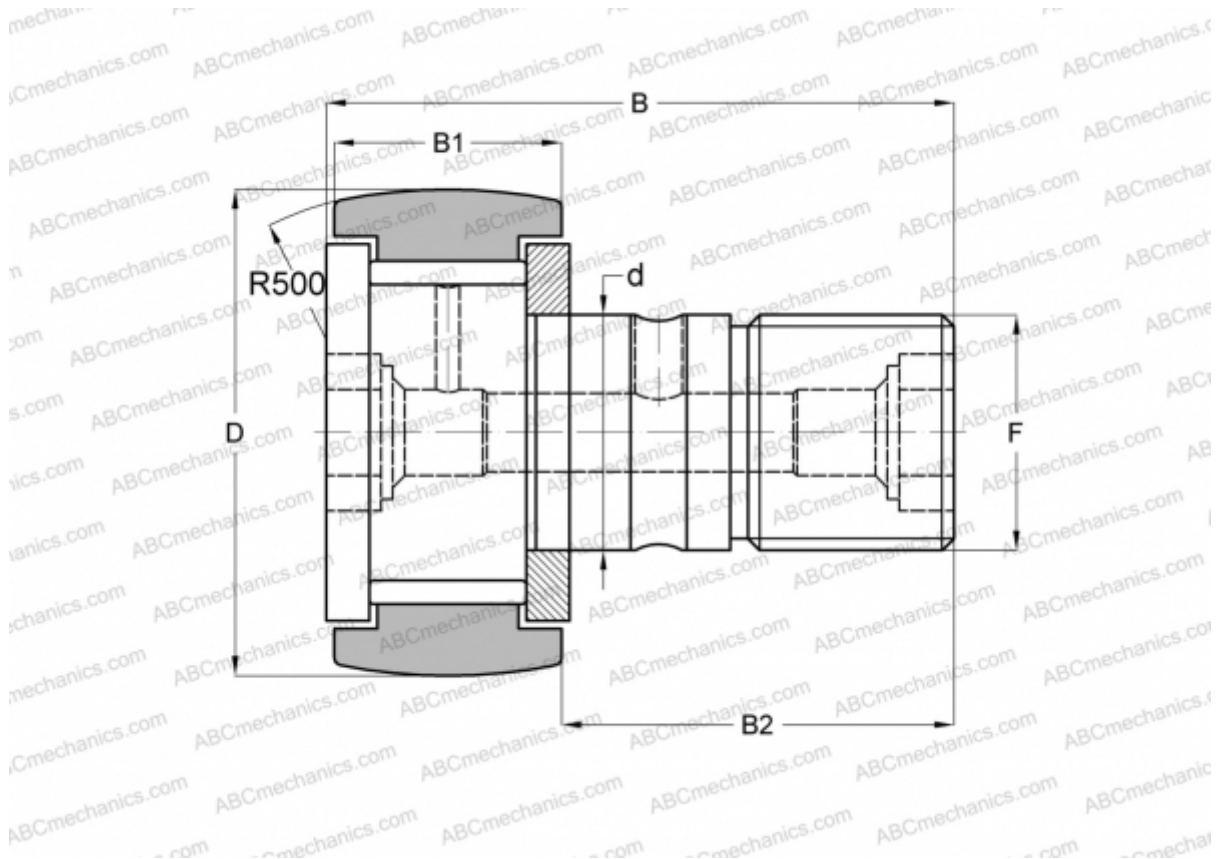


CRC-16 TORRINGTON

Cam followers

TYPE: Roller bearings, Stud type track rollers, With axial guidance, full complement bearing, gap seal on both side, inch size



Technical specification

DIMENSIONS, MM

d	11,112
D	25,400
B	42,069
B1	16,669
B2	25,400
F	7/16-20

WEIGHT, KG 0,073

MANUFACTURER [TORRINGTON](#)

INTERCHANGE

ABC	CR 16 VR
IKO	CR 16 VR
INA	CF 16 Y
McGill	CCF-1