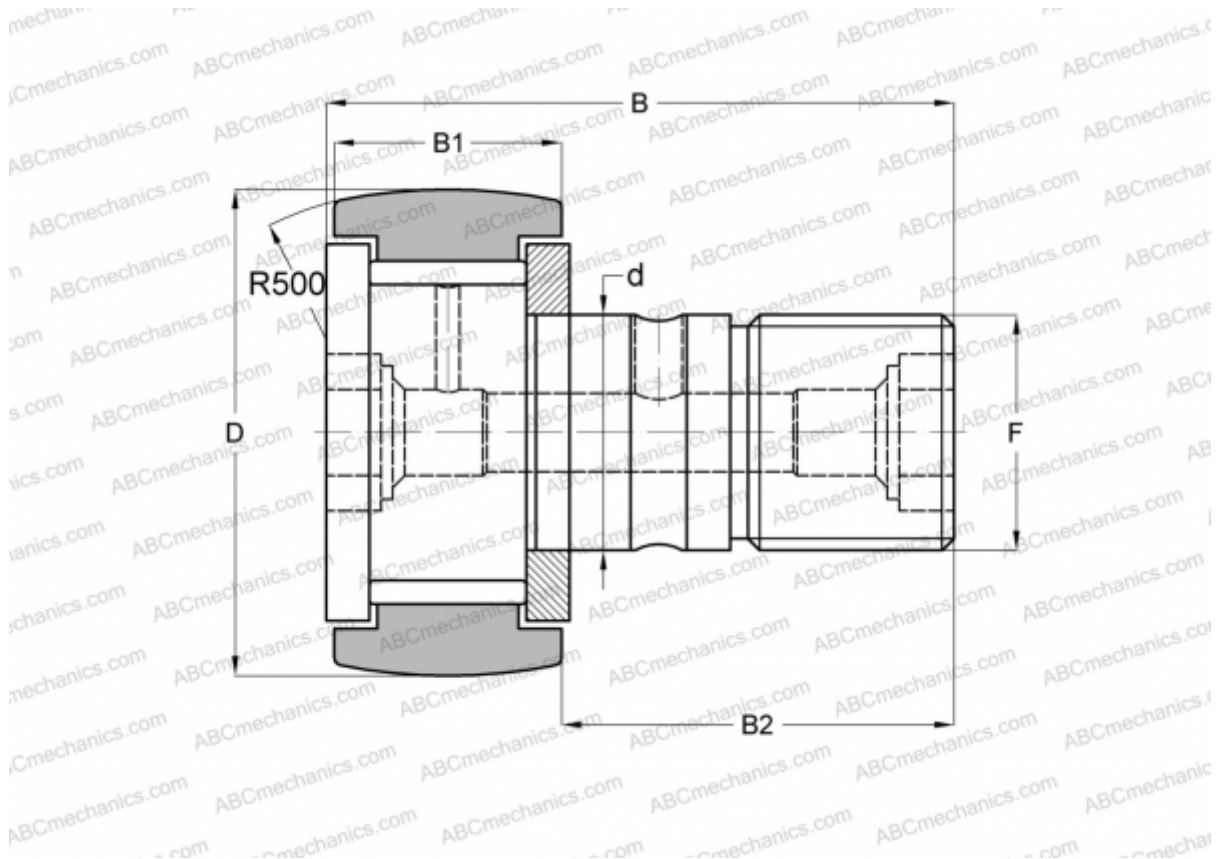


## CF 30 Y INA

Cam followers

TYPE: Roller bearings, Stud type track rollers, With axial guidance, full complement bearing, gap seal on both side, inch size



### Technical specification

#### DIMENSIONS, MM

d	19,050
D	47,625
B	70,644
B1	26,194
B2	44,450
F	3/4-16

**WEIGHT, KG** 0,410

**MANUFACTURER** [INA](#)

#### INTERCHANGE

ABC	<a href="#">CR 30 VR</a>
IKO	<a href="#">CR 30 VR</a>
TORRINGTON	<a href="#">CRC-30</a>
McGill	<a href="#">CCF-1 7/8</a>