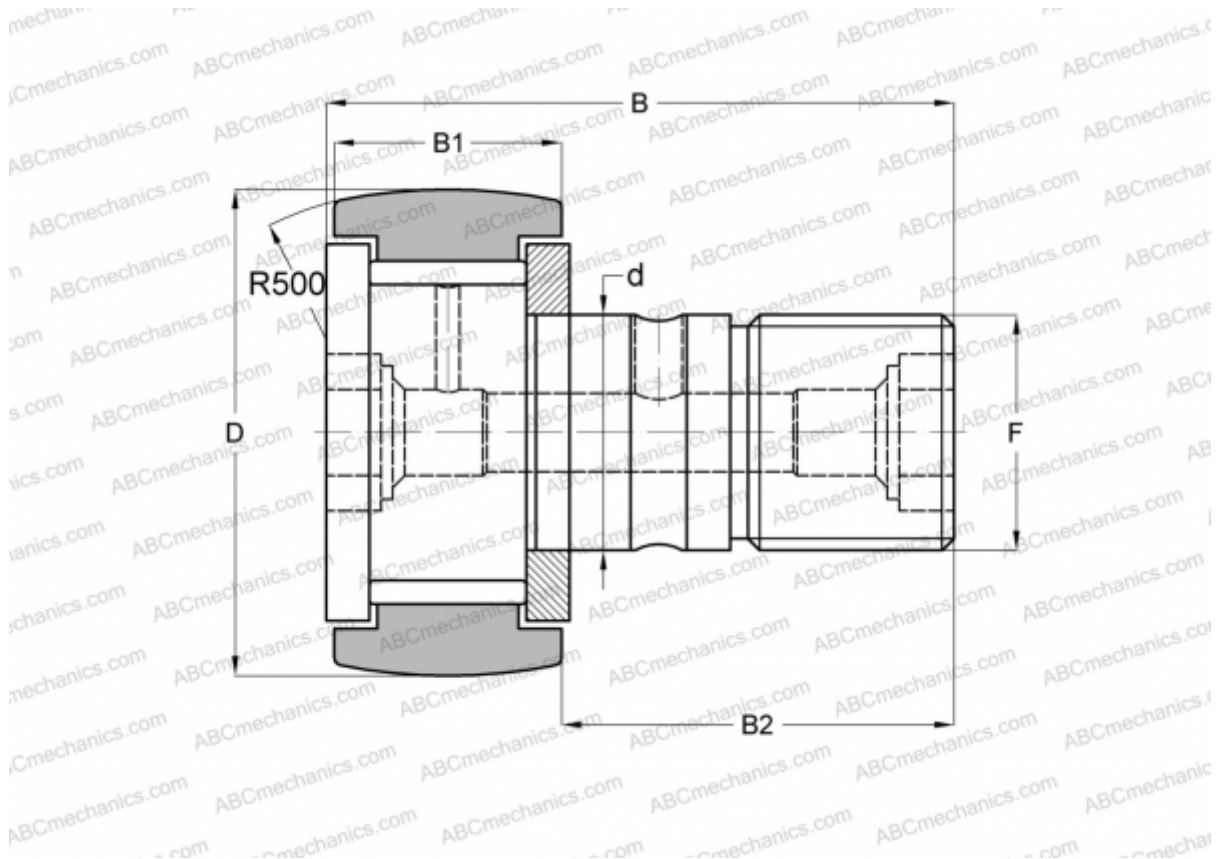


CCF-1 7/8 McGill

Cam followers

TYPE: Roller bearings, Stud type track rollers, With axial guidance, full complement bearing, gap seal on both side, inch size



Technical specification

DIMENSIONS, MM

d	19,050
D	47,625
B	70,644
B1	26,194
B2	44,450
F	3/4-16

WEIGHT, KG 0,410

MANUFACTURER [McGill](#)

INTERCHANGE

ABC	CR 30 VR
IKO	CR 30 VR
TORRINGTON	CRC-30
INA	CF 30 Y