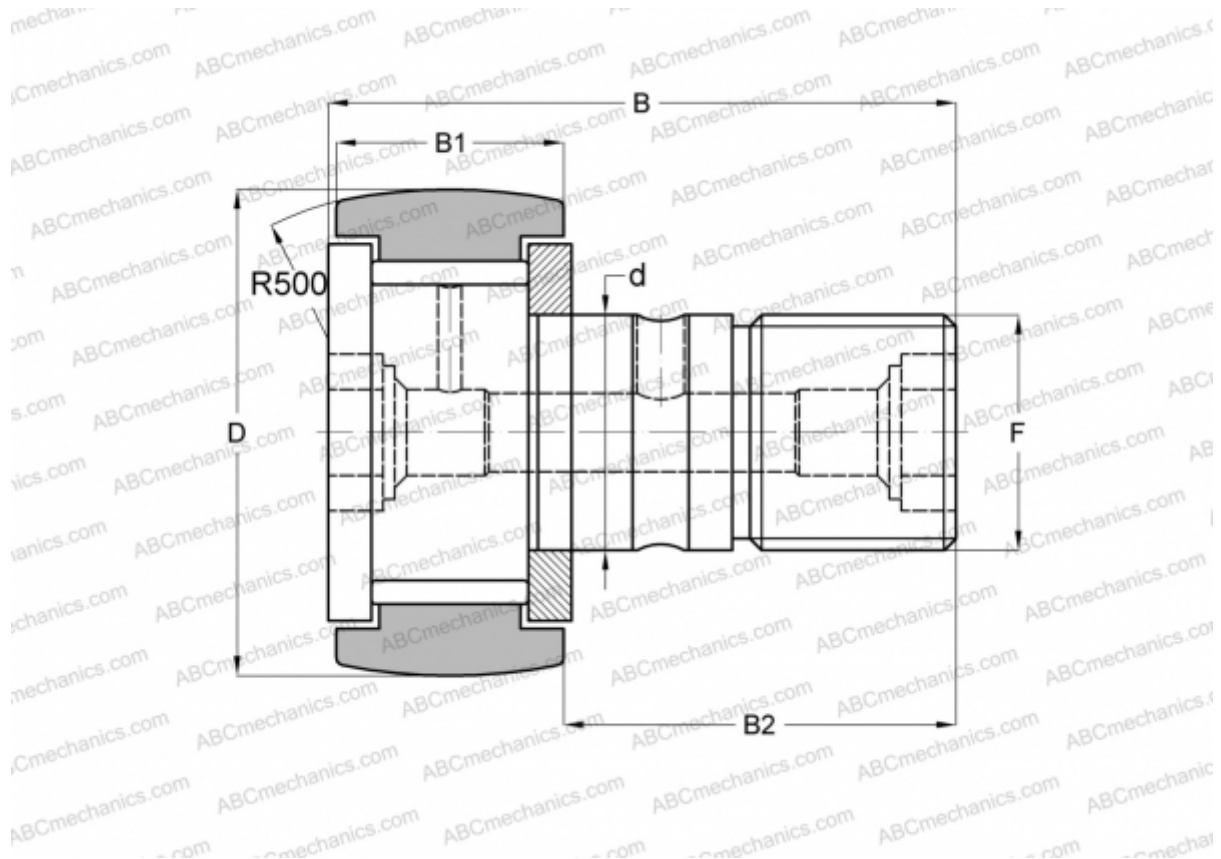


## CR 32 VR ABC

Cam followers

TYPE: Roller bearings, Stud type track rollers, With axial guidance, full complement bearing, gap seal on both side, inch size



### Technical specification

#### DIMENSIONS, MM

d	22,225
D	50,800
B	83,344
B1	32,544
B2	50,800
F	7/8-14

**WEIGHT, KG** 0,615

**MANUFACTURER** [ABC](#)

#### INTERCHANGE

IKO	<a href="#">CR 32 VR</a>
TORRINGTON	<a href="#">CRC-32</a>
INA	<a href="#">CF 32 Y</a>
McGill	<a href="#">CCF-2</a>