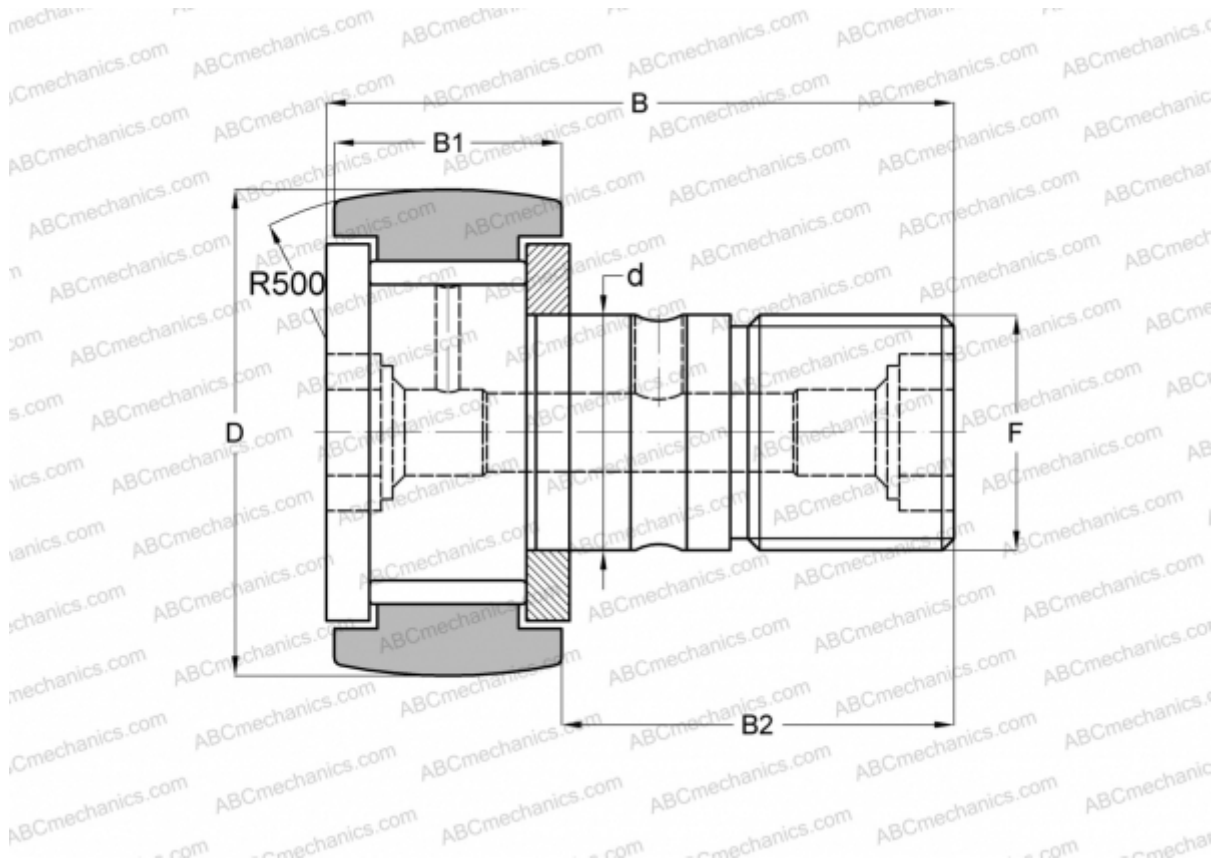


## CCF-2 1/4 McGill

Cam followers

TYPE: Roller bearings, Stud type track rollers, With axial guidance, full complement bearing, gap seal on both side, inch size



### Technical specification

#### DIMENSIONS, MM

d	22,225
D	57,150
B	83,344
B1	32,544
B2	50,800
F	7/8-14

**WEIGHT, KG** 0,750

**MANUFACTURER** [McGill](#)

#### INTERCHANGE

ABC	<a href="#">CR 36 VR</a>
IKO	<a href="#">CR 36 VR</a>
TORRINGTON	<a href="#">CRC-36</a>
INA	<a href="#">CF 36 Y</a>