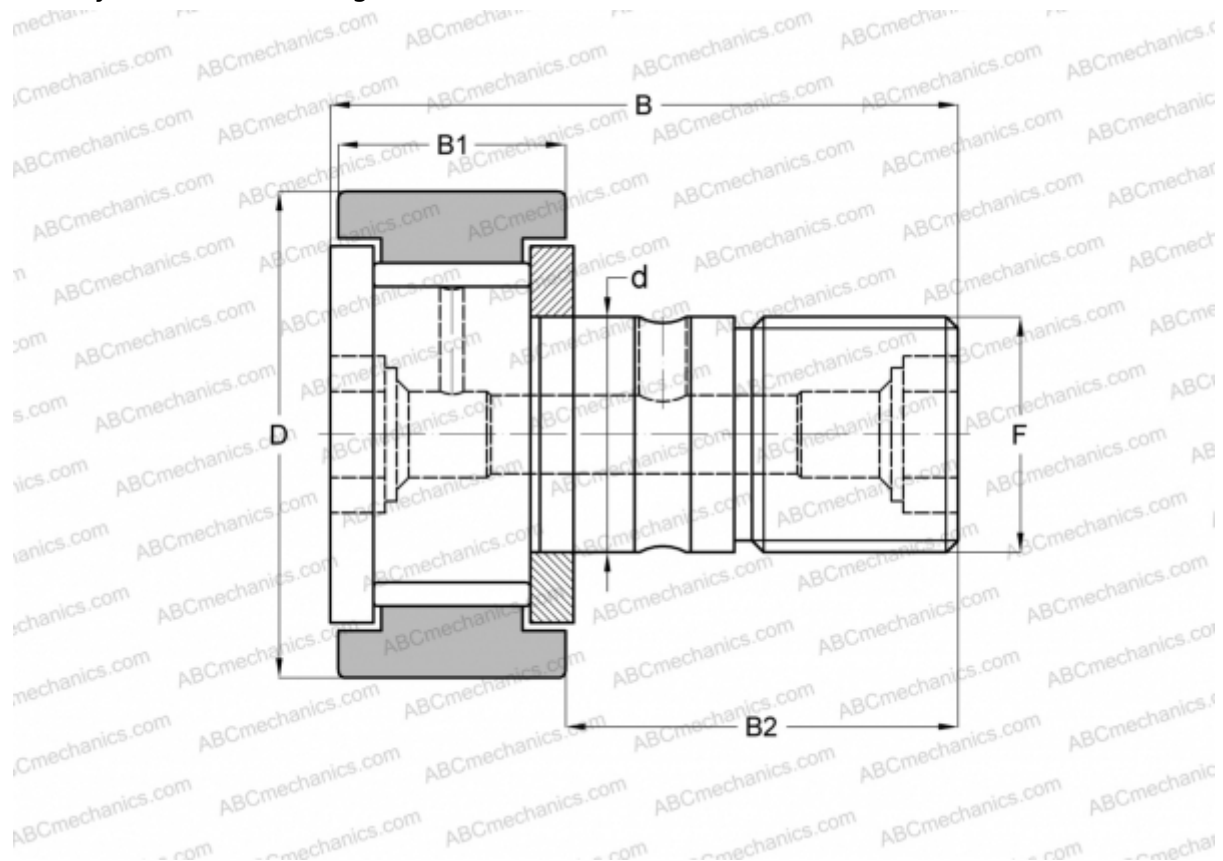


CR 8 V IKO

Cam followers

TYPE: Roller bearings, Stud type track rollers, With axial guidance, full complement bearing, gap seal on both side, cylindrical outer ring, inch size



Technical specification

DIMENSIONS, MM

d	4,826
D	12,700
B	22,225
B1	9,525
B2	12,700
F	NO. 10-32

WEIGHT, KG 0,009

MANUFACTURER [IKO](#)

INTERCHANGE

ABC	CR 8 V
TORRINGTON	CR-8
McGill	CF-1/2-N

CALCULATION DATA

Basic dynamic load rating, C	4,260 kN
Basic static load rating, Co	4,750 kN