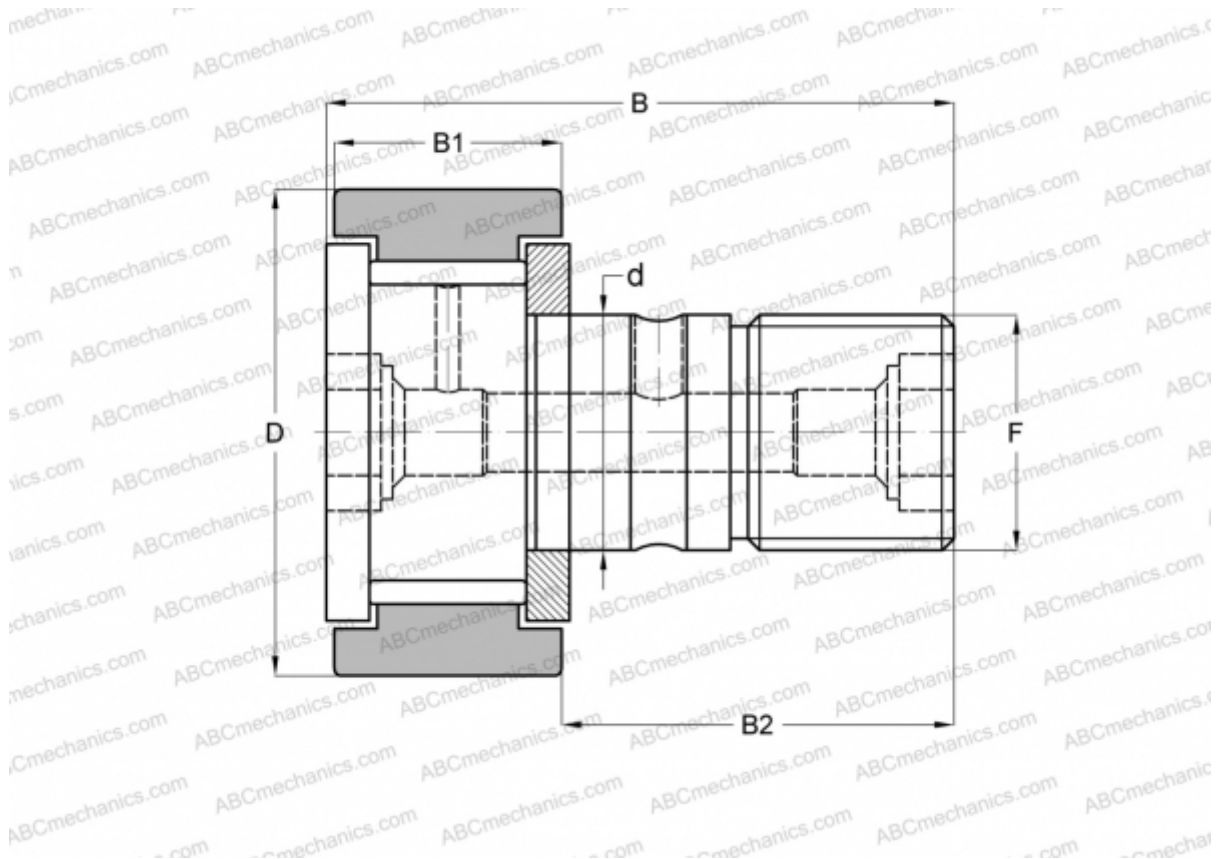


CR 8-1 V IKO

Cam followers

TYPE: Roller bearings, Stud type track rollers, With axial guidance, full complement bearing, gap seal on both side, cylindrical outer ring, inch size



Technical specification

DIMENSIONS, MM

d	4,826
D	12,700
B	26,194
B1	10,319
B2	15,875
F	NO. 10-32

WEIGHT, KG 0,010

MANUFACTURER [IKO](#)

INTERCHANGE

ABC	CR 8-1 V
TORRINGTON	CR-8-1
INA	CF 8-1
McGill	CF-1/2

CALCULATION DATA

Basic dynamic load rating, C	4,710 kN
Basic static load rating, Co	5,410 kN