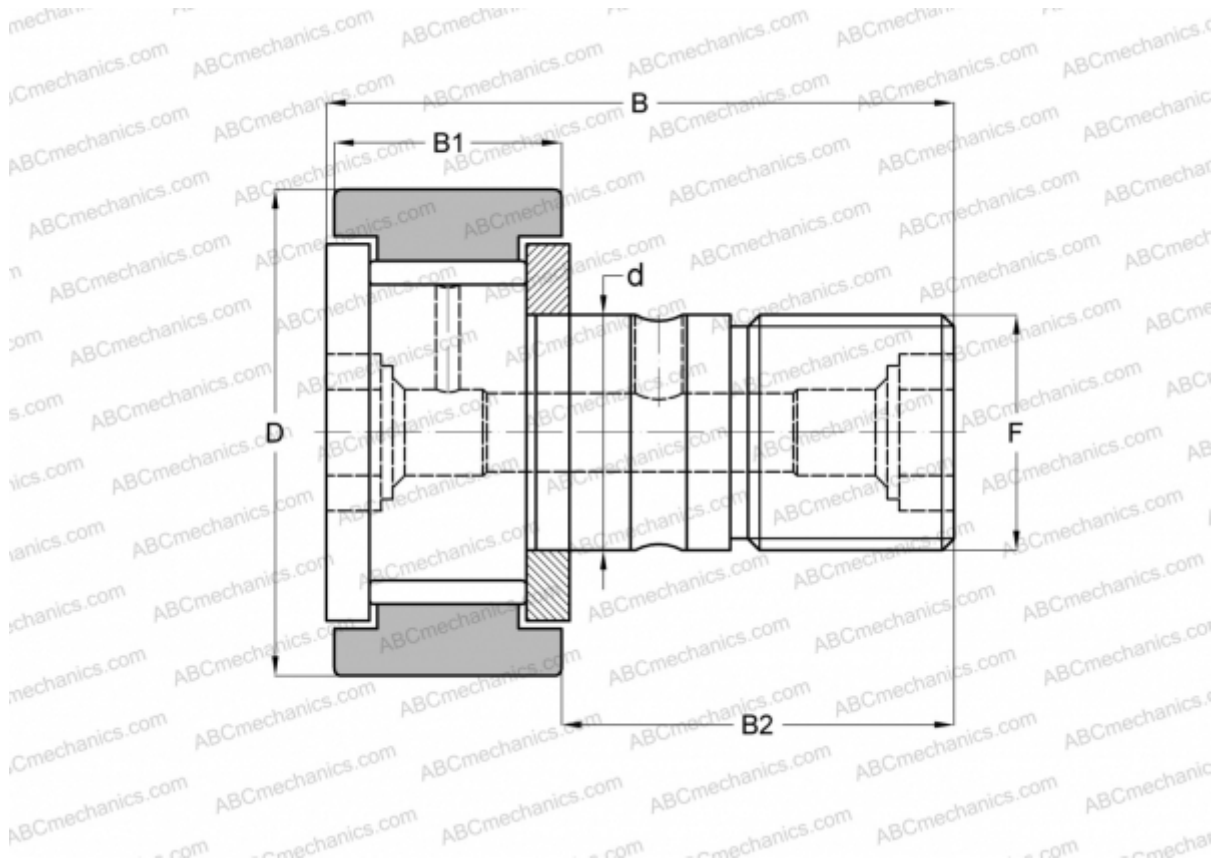


CR-8-1 TORRINGTON

Cam followers

TYPE: Roller bearings, Stud type track rollers, With axial guidance, full complement bearing, gap seal on both side, cylindrical outer ring, inch size



Technical specification

DIMENSIONS, MM

d	4,826
D	12,700
B	26,194
B1	10,319
B2	15,875
F	NO. 10-32

WEIGHT, KG 0,010

MANUFACTURER [TORRINGTON](#)

INTERCHANGE

ABC	CR 8-1 V
IKO	CR 8-1 V
INA	CF 8-1
McGill	CF-1/2