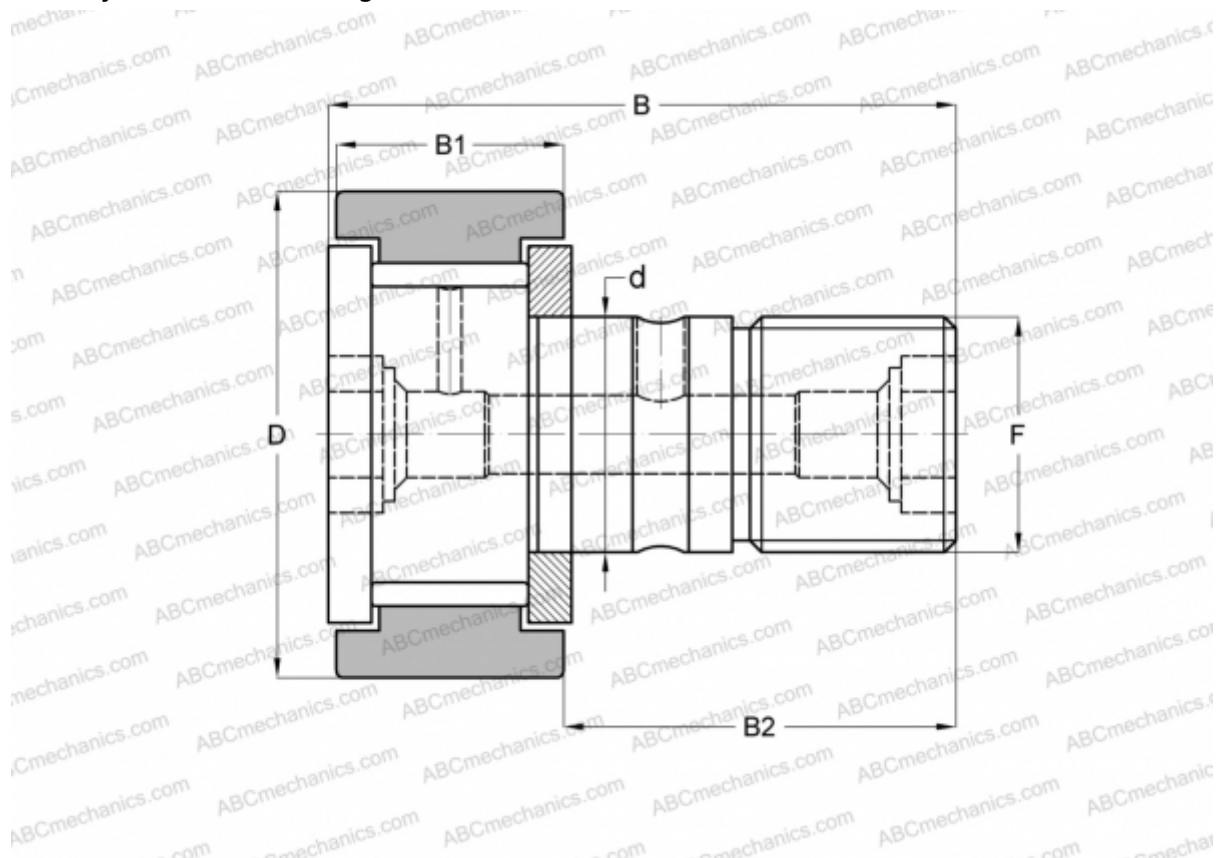


CR-10 TORRINGTON

Cam followers

TYPE: Roller bearings, Stud type track rollers, With axial guidance, full complement bearing, gap seal on both side, cylindrical outer ring, inch size



Technical specification

DIMENSIONS, MM

d	6,350
D	15,875
B	26,987
B1	11,112
B2	15,875
F	1/4-28

MANUFACTURER

[TORRINGTON](#)

INTERCHANGE

ABC	CR 10 V
IKO	CR 10 V
McGill	CF-5/8-N