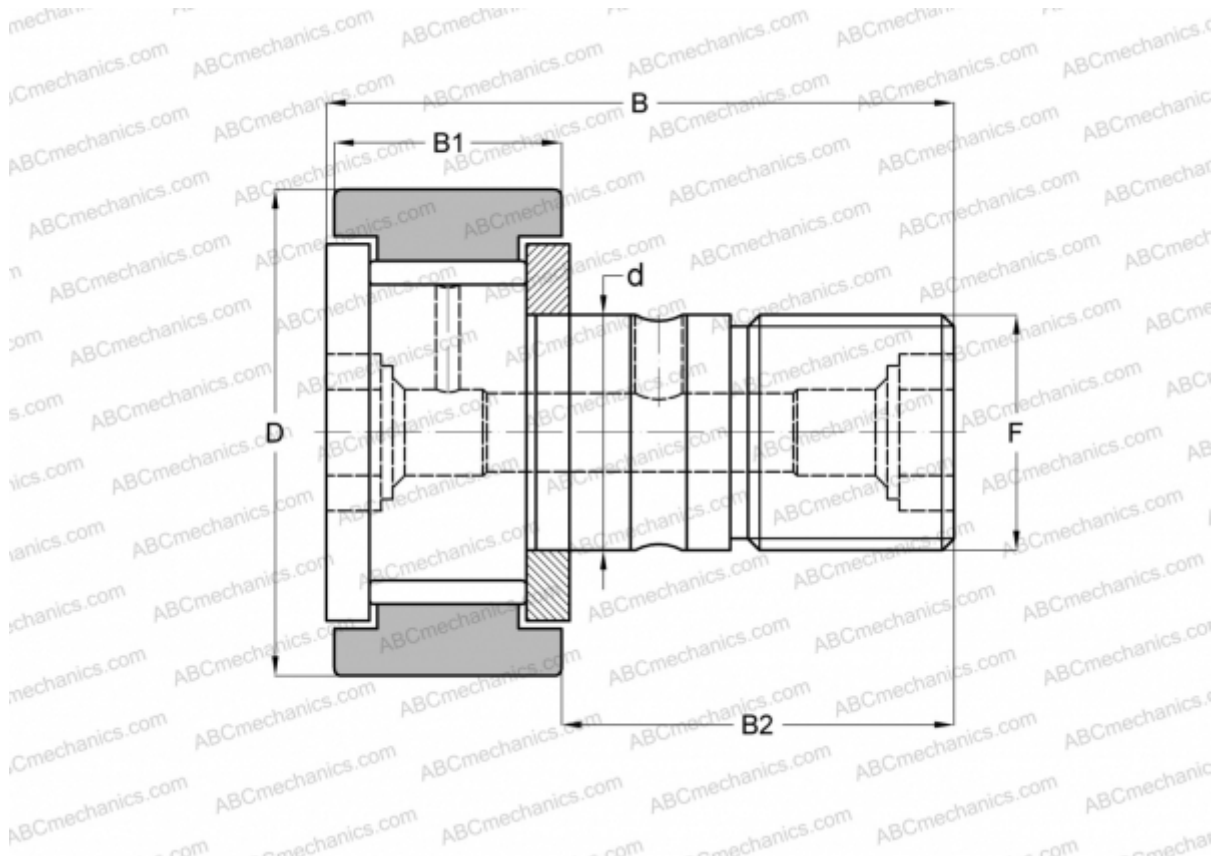


CF-5/8-N McGill

Cam followers

TYPE: Roller bearings, Stud type track rollers, With axial guidance, full complement bearing, gap seal on both side, cylindrical outer ring, inch size



Technical specification

DIMENSIONS, MM

| | |
|----|--------|
| d | 6,350 |
| D | 15,875 |
| B | 26,987 |
| B1 | 11,112 |
| B2 | 15,875 |
| F | 1/4-28 |

MANUFACTURER [McGill](#)

INTERCHANGE

| | |
|------------|-------------------------|
| ABC | CR 10 V |
| IKO | CR 10 V |
| TORRINGTON | CR-10 |