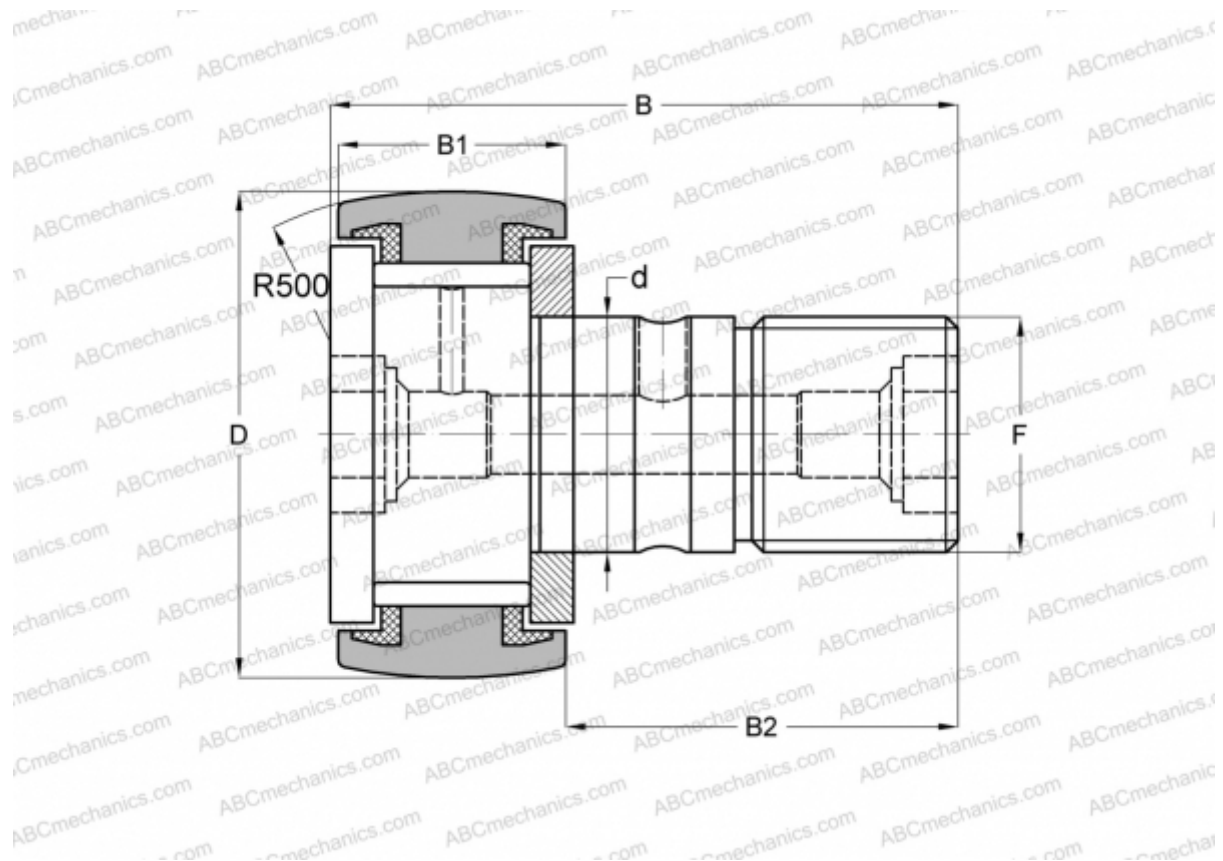


CR 8 VBUUR IKO

Cam followers

TYPE: Roller bearings, Stud type track rollers, With axial guidance, full complement bearing, sealing rings on both sides, hex socket, inch size



Technical specification

DIMENSIONS, MM

| | |
|----|-----------|
| d | 4,826 |
| D | 12,700 |
| B | 22,225 |
| B1 | 9,525 |
| B2 | 12,700 |
| F | NO. 10-32 |

MANUFACTURER

[IKO](#)

INTERCHANGE

| | |
|------------|------------------------------|
| ABC | CR 8 VBUUR |
| TORRINGTON | CRSBC-8 |
| McGill | CCF-1/2-N-SB |

CALCULATION DATA

| | |
|------------------------------|----------|
| Basic dynamic load rating, C | 4,260 kN |
| Basic static load rating, Co | 4,750 kN |