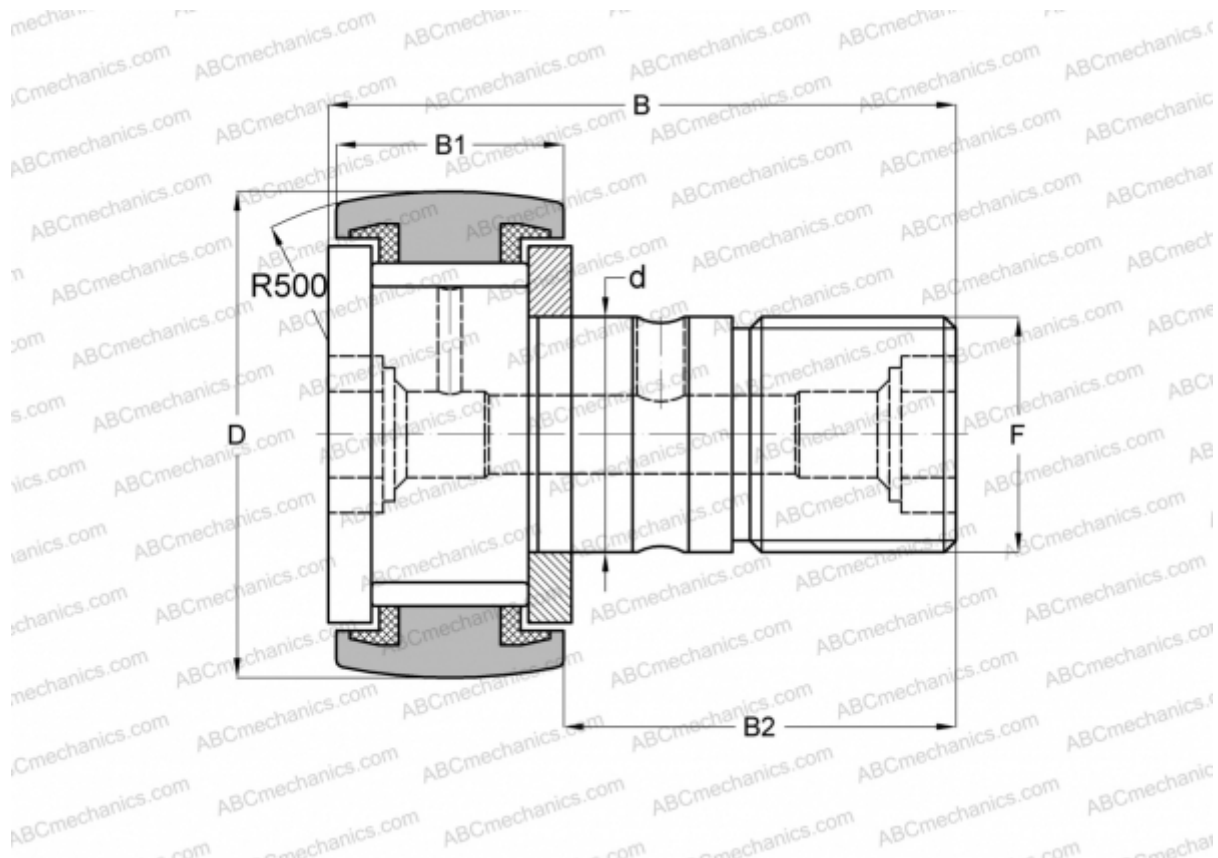


CRSBC-8 TORRINGTON

Cam followers

TYPE: Roller bearings, Stud type track rollers, With axial guidance, full complement bearing, sealing rings on both sides, hex socket, inch size



Technical specification

DIMENSIONS, MM

d	4,826
D	12,700
B	22,225
B1	9,525
B2	12,700
F	NO. 10-32

MANUFACTURER [TORRINGTON](#)

INTERCHANGE

ABC	CR 8 VBUUR
IKO	CR 8 VBUUR
McGill	CCF-1/2-N-SB