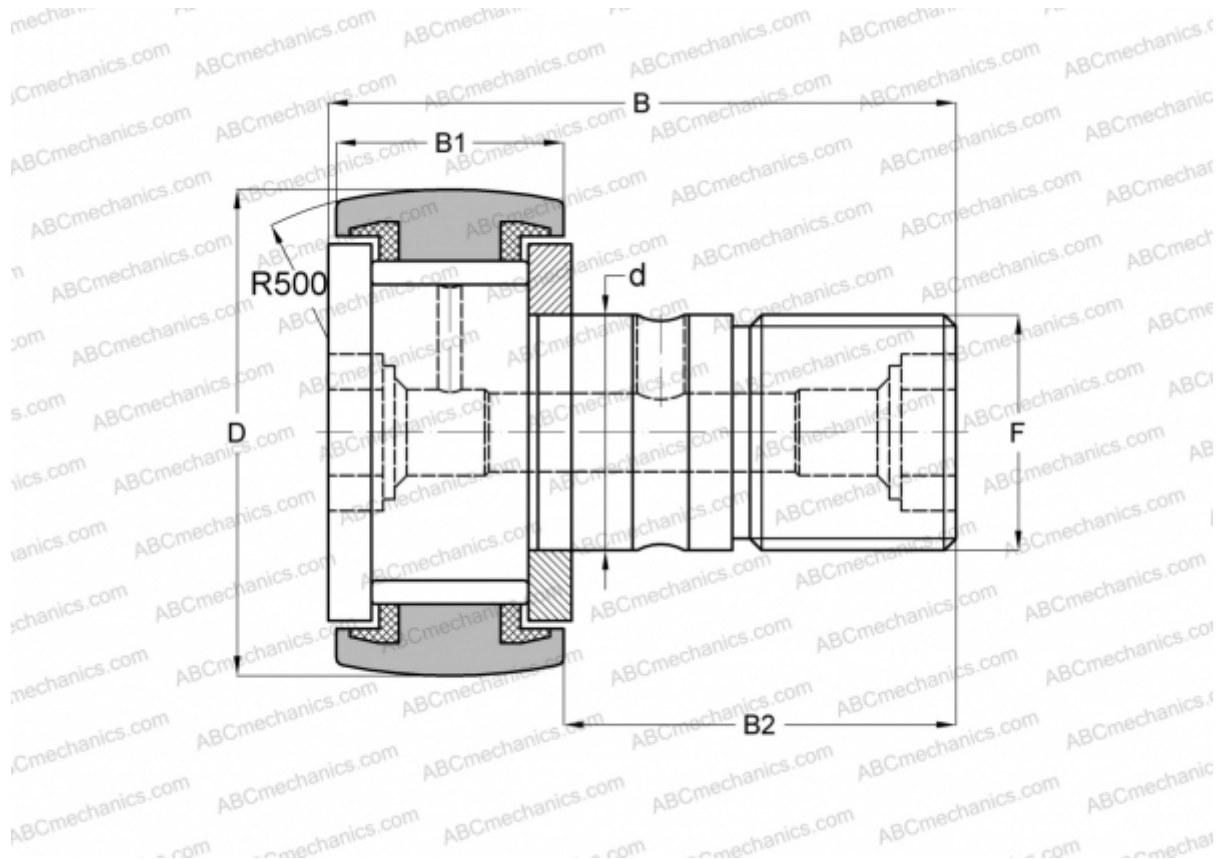


## CR 8-1 VBUUR IKO

Cam followers

TYPE: Roller bearings, Stud type track rollers, With axial guidance, full complement bearing, sealing rings on both sides, hex socket, inch size



### Technical specification

#### DIMENSIONS, MM

d	4,826
D	12,700
B	26,194
B1	10,319
B2	15,875
F	NO. 10-32

#### CALCULATION DATA

Basic static load rating, Co	5,410 kN
------------------------------	----------

#### MANUFACTURER

[IKO](#)

#### INTERCHANGE

ABC	<a href="#">CR 8-1 VBUUR</a>
TORRINGTON	<a href="#">CRSBC-8-1</a>
INA	<a href="#">CF 8-1 PPYSK</a>
McGill	<a href="#">CCF-1/2-SB</a>

#### CALCULATION DATA

Basic dynamic load rating, C	4,710 kN
------------------------------	----------