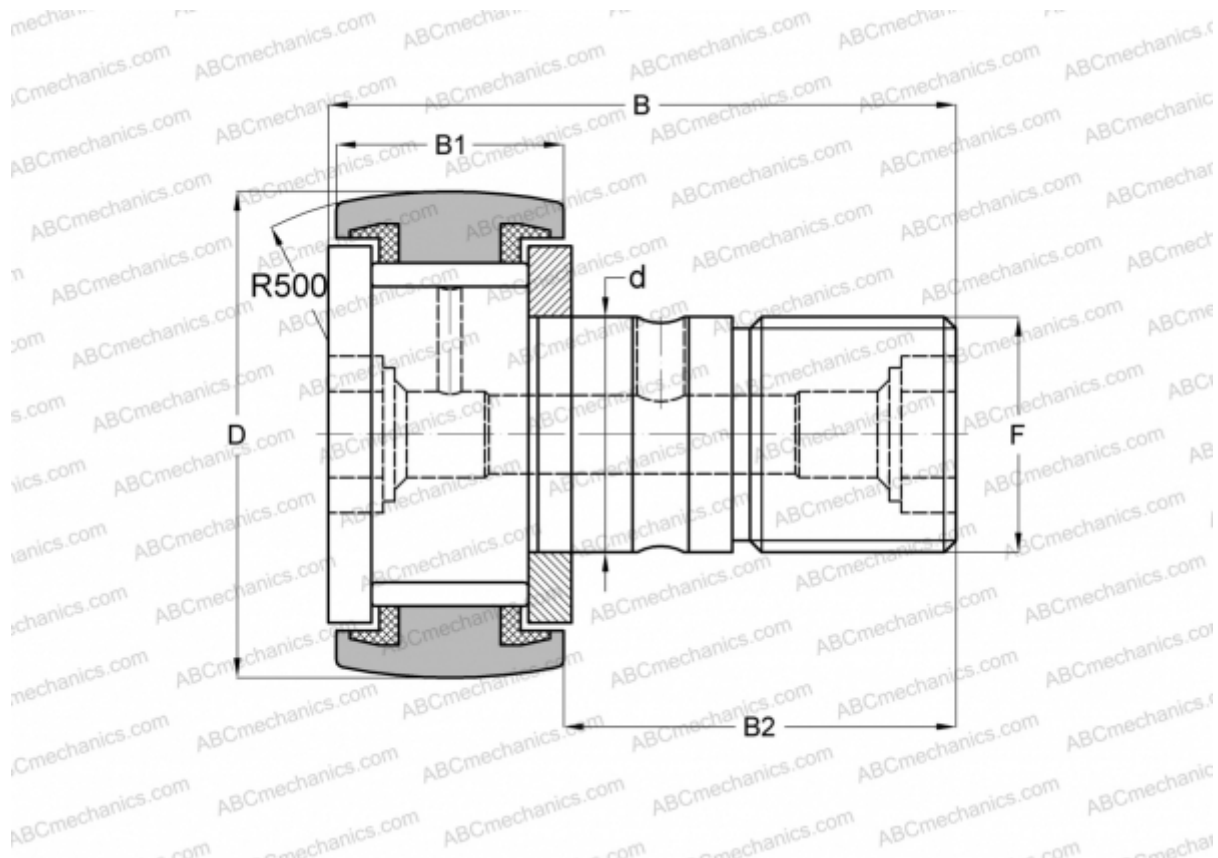


## CR 10 VBUUR ABC

Cam followers

TYPE: Roller bearings, Stud type track rollers, With axial guidance, full complement bearing, sealing rings on both sides, hex socket, inch size



### Technical specification

#### DIMENSIONS, MM

d	6,350
D	15,875
B	26,987
B1	11,112
B2	15,875
F	1/4-28

**MANUFACTURER** [ABC](#)

#### INTERCHANGE

IKO	<a href="#">CR 10 VBUUR</a>
TORRINGTON	<a href="#">CRSBC-10</a>
McGill	<a href="#">CCF-5/8-N-SB</a>