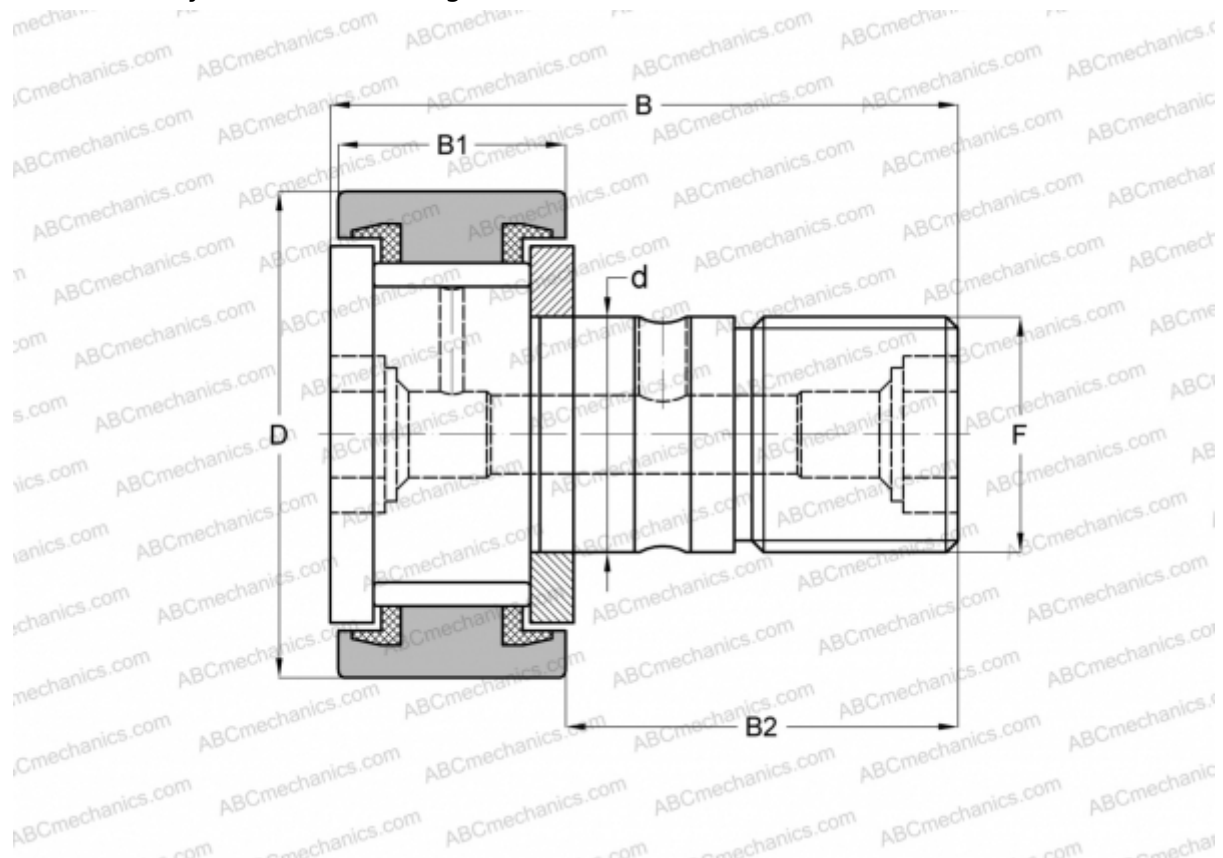


CRSB-8 TORRINGTON

Cam followers

TYPE: Roller bearings, Stud type track rollers, With axial guidance, full complement bearing, sealing rings on both sides, cylindrical outer ring, hex socket, inch size



Technical specification

DIMENSIONS, MM

d	4,826
D	12,700
B	22,225
B1	9,525
B2	12,700
F	NO. 10-32

WEIGHT, KG 0,009

MANUFACTURER [TORRINGTON](#)

INTERCHANGE

ABC	CR 8 VBUU
IKO	CR 8 VBUU
McGill	CF-1/2-N-SB