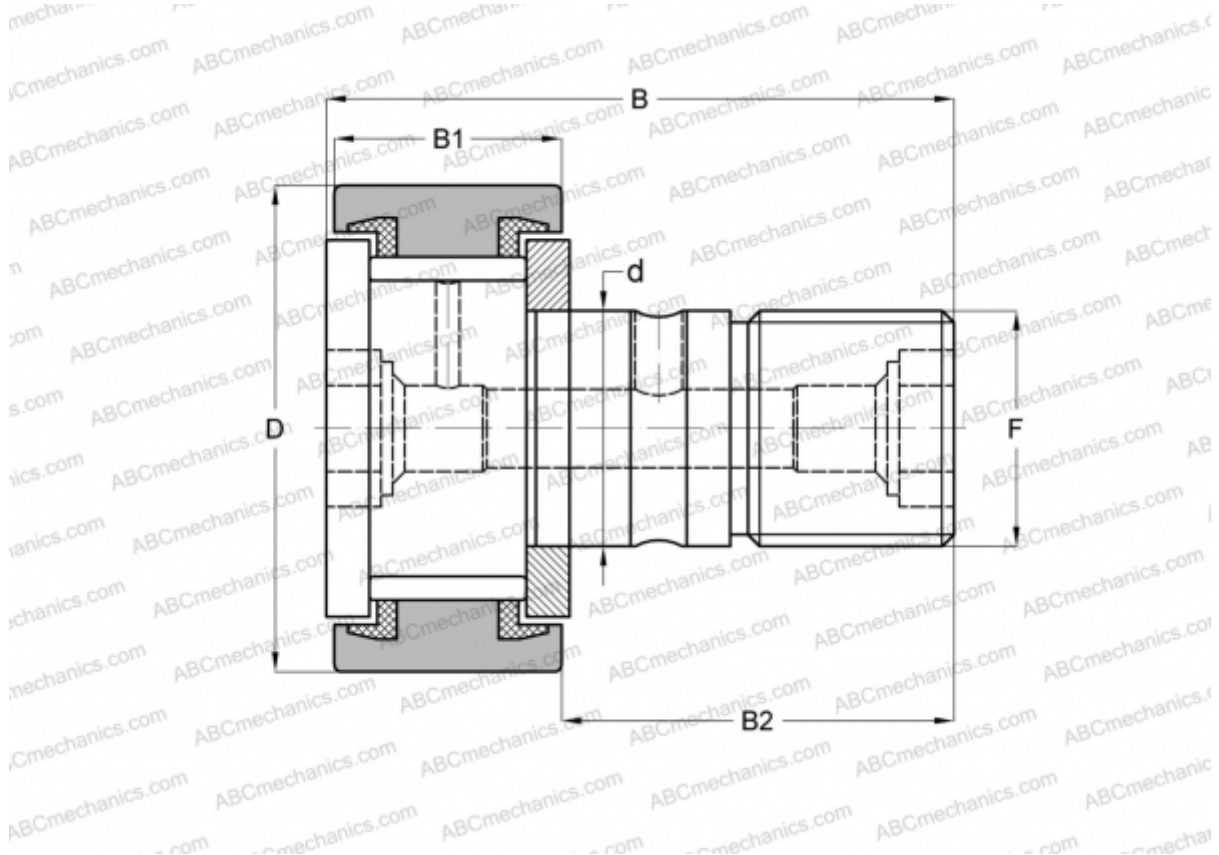


CF-5/8-N-SB McGill

Cam followers

TYPE: Roller bearings, Stud type track rollers, With axial guidance, full complement bearing, sealing rings on both sides, cylindrical outer ring, hex socket, inch size



Technical specification

DIMENSIONS, MM

d	6,350
D	15,875
B	26,987
B1	11,112
B2	15,875
F	1/4-28

WEIGHT, KG 0,019

MANUFACTURER [McGill](#)

INTERCHANGE

ABC	CR10 VBUU
IKO	CR10 VBUU
TORRINGTON	CRSB-10