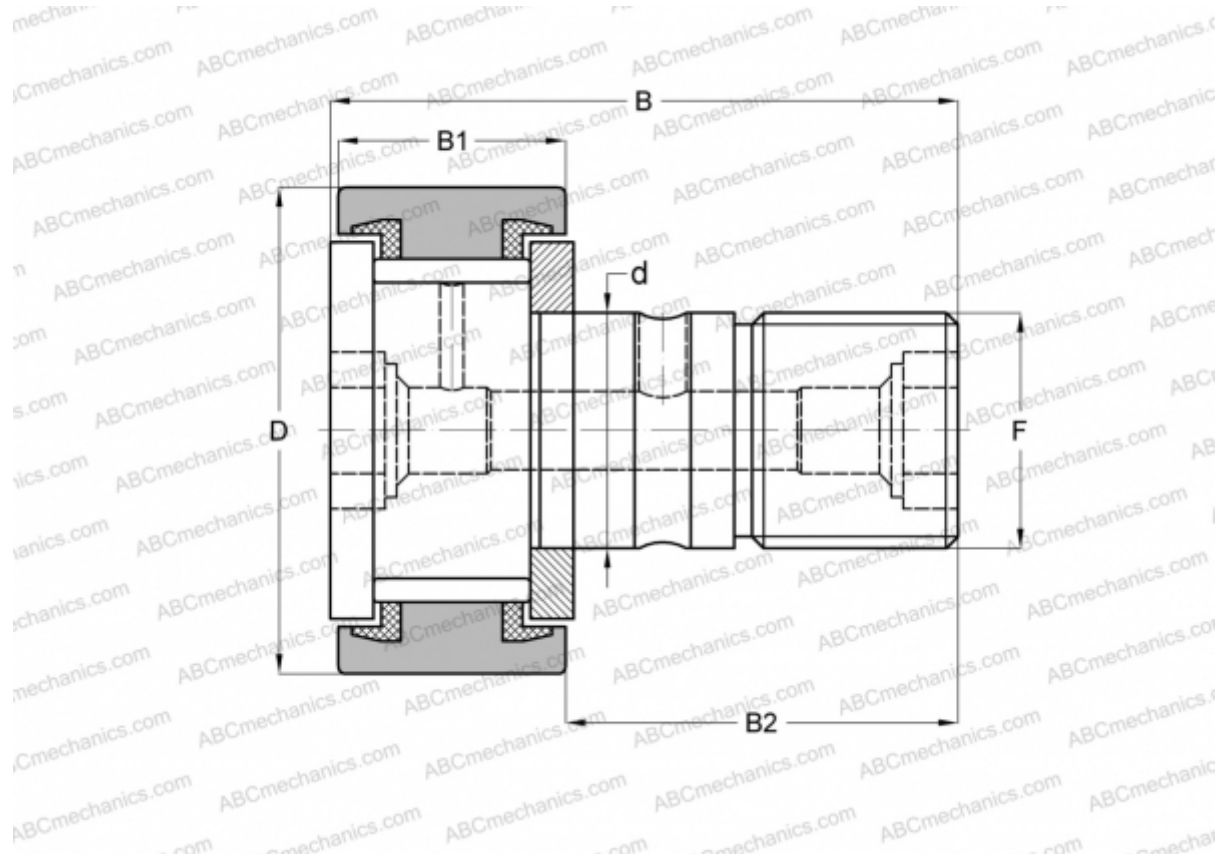


## CRSB-12 TORRINGTON

Cam followers

TYPE: Roller bearings, Stud type track rollers, With axial guidance, full complement bearing, sealing rings on both sides, cylindrical outer ring, hex socket, inch size



### Technical specification

#### DIMENSIONS, MM

d	9,525
D	19,050
B	35,719
B1	13,494
B2	22,225
F	3/8-24

**WEIGHT, KG** 0,035

**MANUFACTURER** [TORRINGTON](#)

#### INTERCHANGE

ABC	<a href="#">CR12 VBUU</a>
IKO	<a href="#">CR12 VBUU</a>
INA	<a href="#">CF 12 PPSK</a>
McGill	<a href="#">CF-3/4-SB</a>