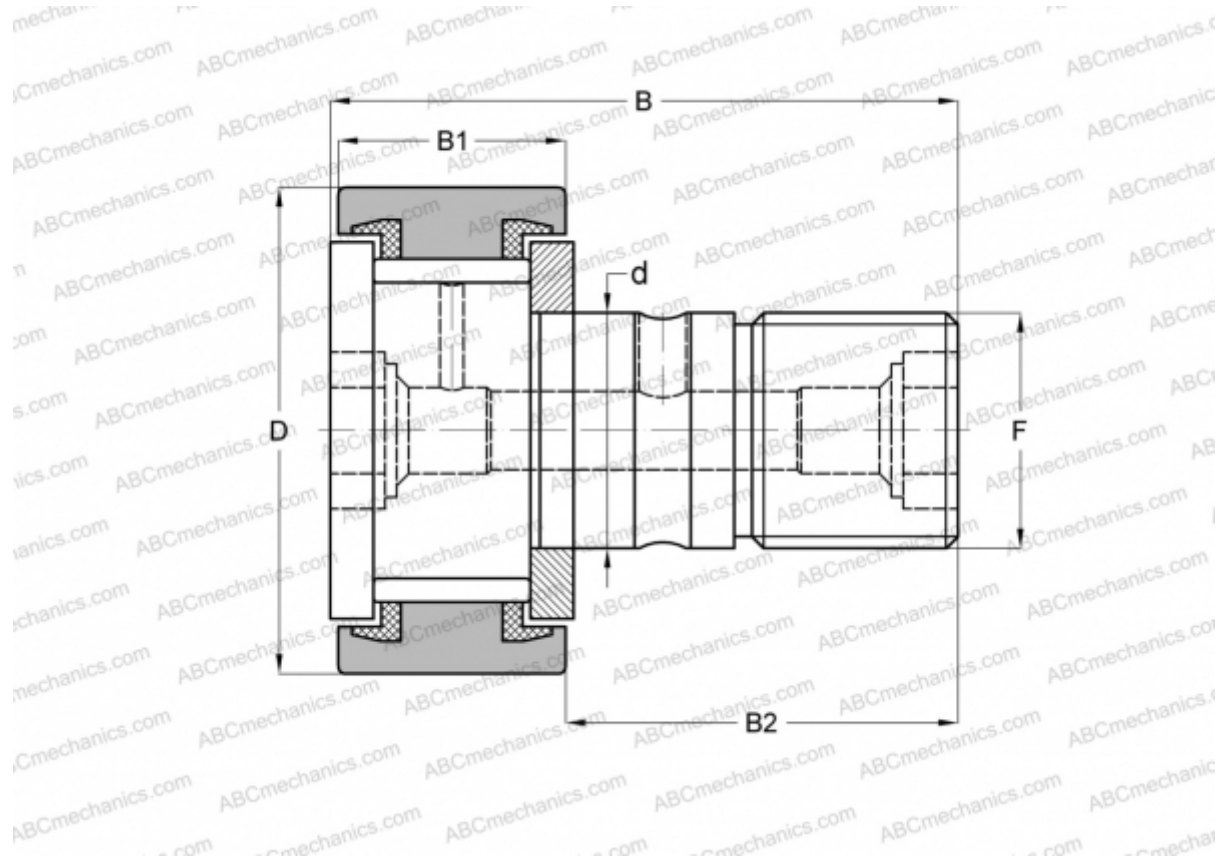


CF-7/8-SB McGill

Cam followers

TYPE: Roller bearings, Stud type track rollers, With axial guidance, full complement bearing, sealing rings on both sides, cylindrical outer ring, hex socket, inch size



Technical specification

DIMENSIONS, MM

d	9,525
D	22,225
B	35,719
B1	13,494
B2	22,225
F	3/8-24

WEIGHT, KG 0,046

MANUFACTURER [McGill](#)

INTERCHANGE

ABC	CR14 VBUU
IKO	CR14 VBUU
TORRINGTON	CRSB-14
INA	CF 14 PPSK