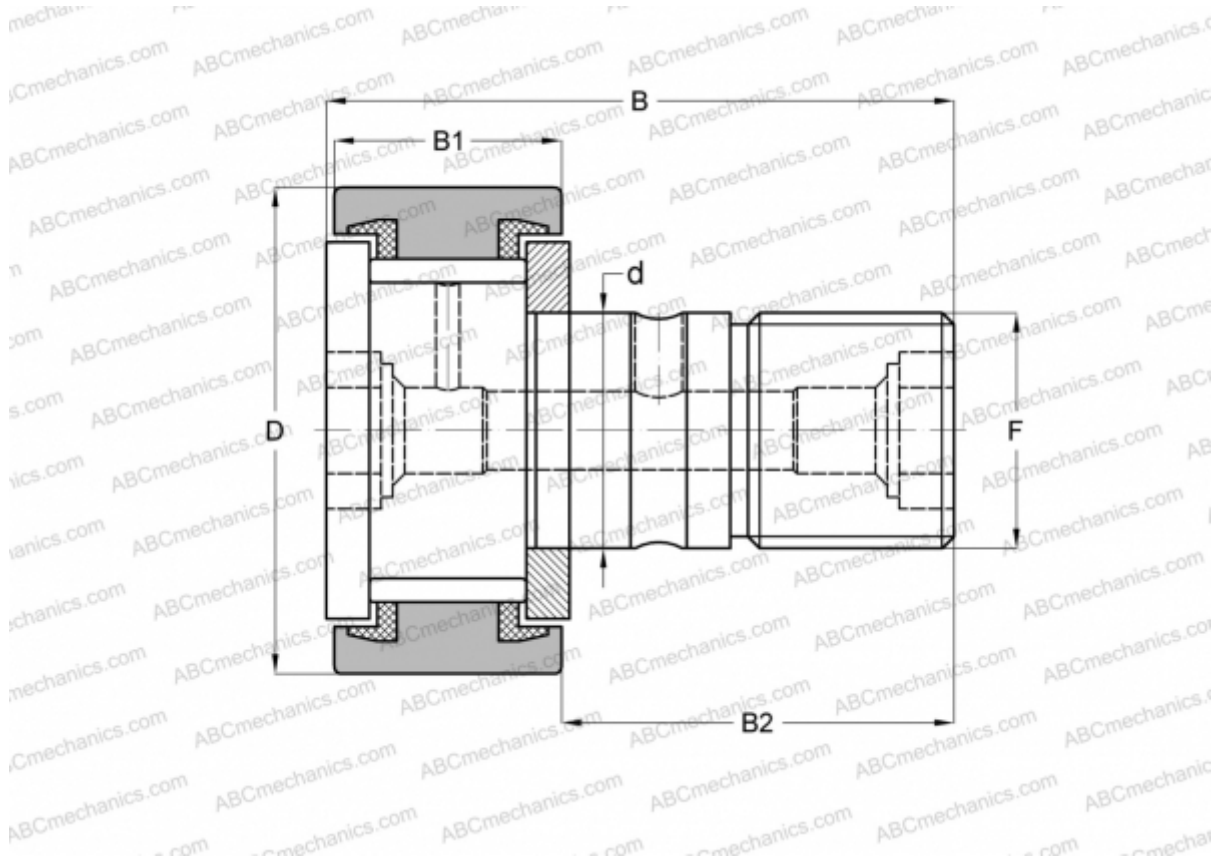


## CRSB-16 TORRINGTON

Cam followers

TYPE: Roller bearings, Stud type track rollers, With axial guidance, full complement bearing, sealing rings on both sides, cylindrical outer ring, hex socket, inch size



### Technical specification

#### DIMENSIONS, MM

d	11,112
D	25,400
B	42,069
B1	16,669
B2	25,400
F	7/16-20

**WEIGHT, KG** 0,073

**MANUFACTURER** [TORRINGTON](#)

#### INTERCHANGE

ABC	<a href="#">CR16 VBUU</a>
IKO	<a href="#">CR16 VBUU</a>
INA	<a href="#">CF 16 PPSK</a>
McGill	<a href="#">CF-1-SB</a>