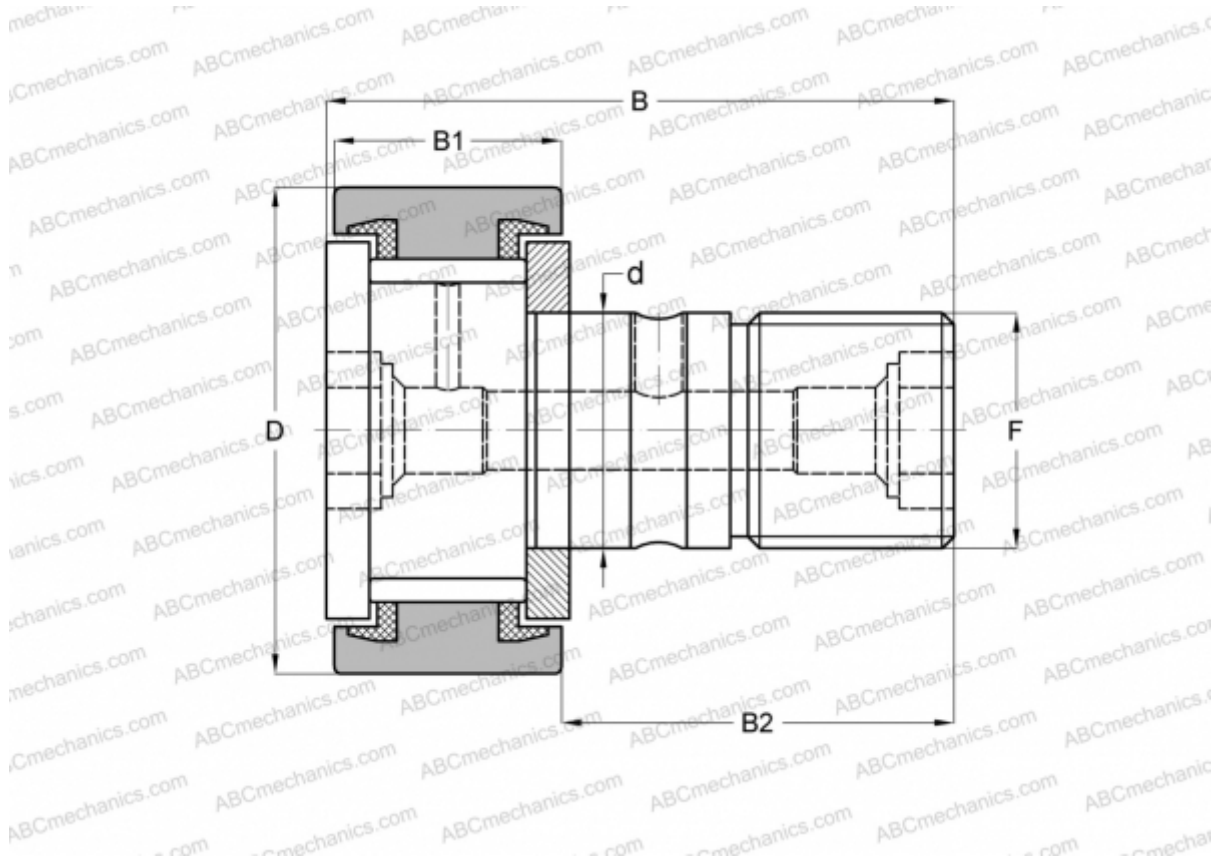


CR 20 VBUU ABC

Cam followers

TYPE: Roller bearings, Stud type track rollers, With axial guidance, full complement bearing, sealing rings on both sides, cylindrical outer ring, hex socket, inch size



Technical specification

DIMENSIONS, MM

d	12,700
D	31,750
B	51,594
B1	19,844
B2	31,750
F	1/2-20

WEIGHT, KG 0,132

MANUFACTURER [ABC](#)

INTERCHANGE

IKO	CR 20 VBUU
TORRINGTON	CRSB-20
INA	CF 20 PPSK
McGill	CF-1 1/4-SB