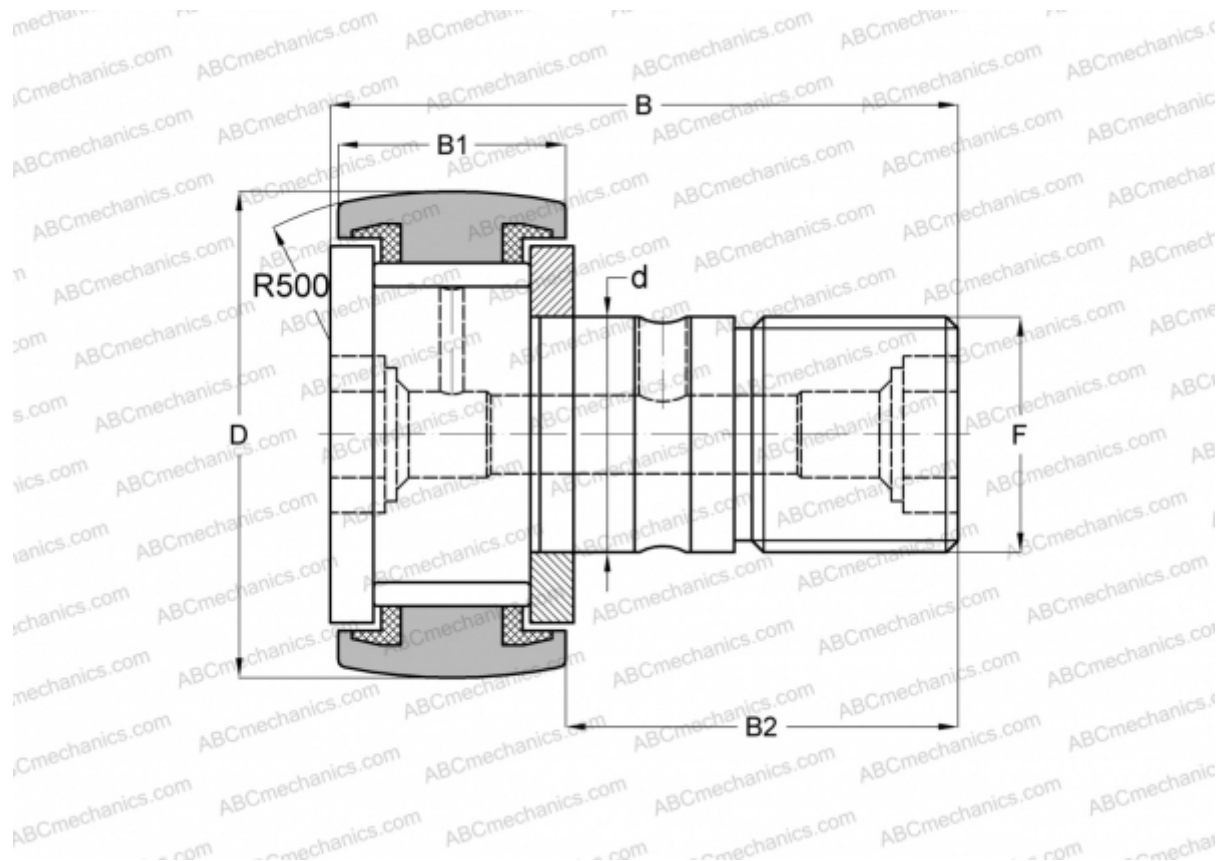


CR 8 VUUR IKO

Cam followers

TYPE: Roller bearings, Stud type track rollers, With axial guidance, full complement bearing, sealing rings on both sides, inch size



Technical specification

DIMENSIONS, MM

d	4,826
D	12,700
B	22,225
B1	9,525
B2	12,700
F	NO. 10-32

WEIGHT, KG 0,009

MANUFACTURER [IKO](#)

INTERCHANGE

ABC	CR 8 VUUR
TORRINGTON	CRSC-8
McGill	CCF-1/2-N-S

CALCULATION DATA

Basic dynamic load rating, C	4,260 kN
Basic static load rating, Co	4,750 kN