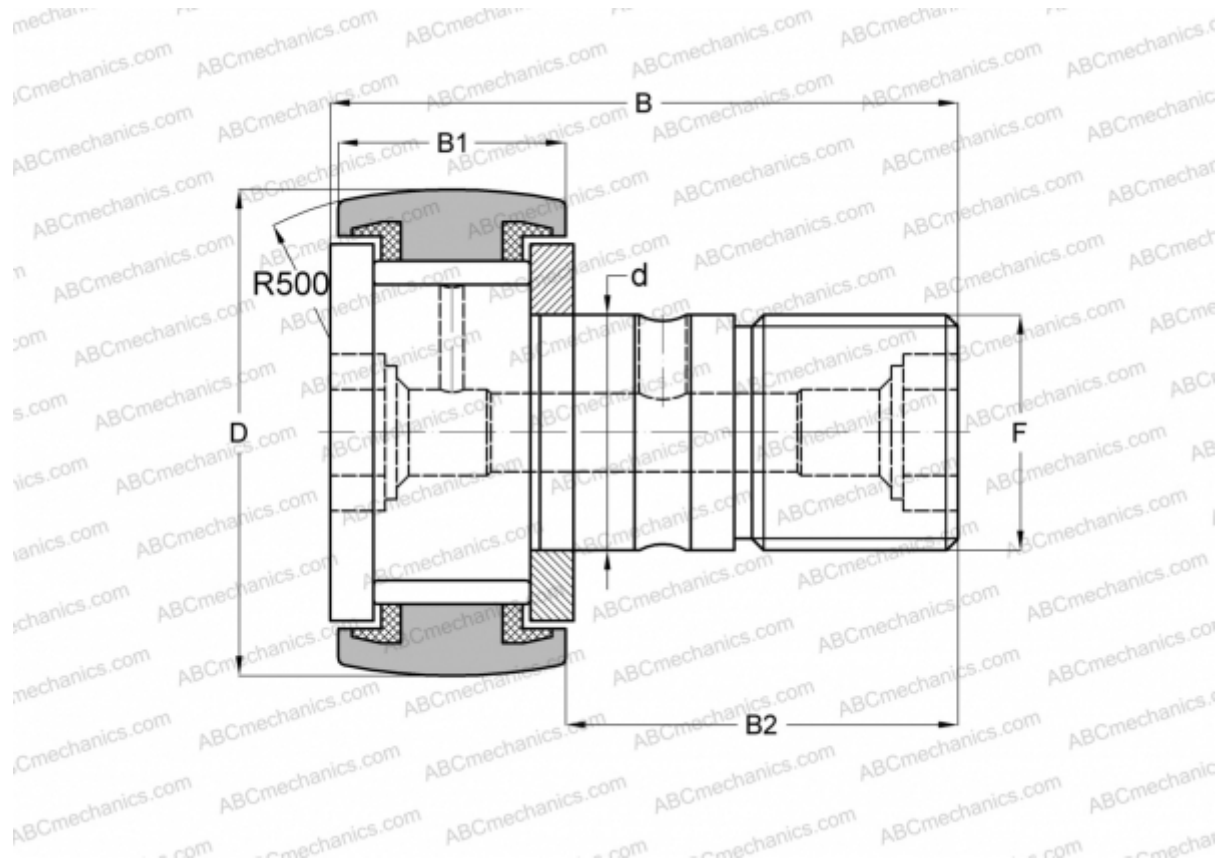


## CRSC-8 TORRINGTON

Cam followers

TYPE: Roller bearings, Stud type track rollers, With axial guidance, full complement bearing, sealing rings on both sides, inch size



### Technical specification

#### DIMENSIONS, MM

d	4,826
D	12,700
B	22,225
B1	9,525
B2	12,700
F	NO. 10-32

**WEIGHT, KG** 0,009

**MANUFACTURER** [TORRINGTON](#)

#### INTERCHANGE

ABC	<a href="#">CR 8 VUUR</a>
IKO	<a href="#">CR 8 VUUR</a>
McGill	<a href="#">CCF-1/2-N-S</a>