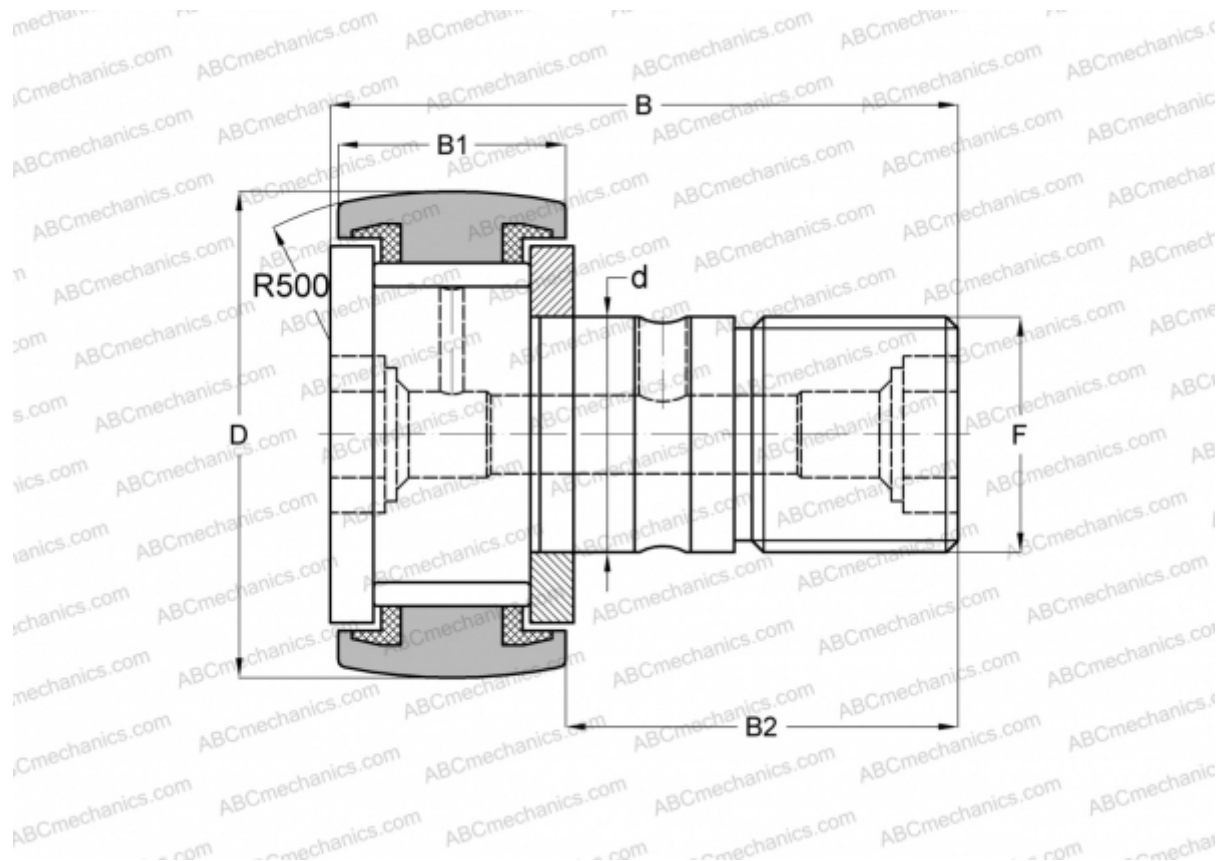


CR 8-1 VUUR IKO

Cam followers

TYPE: Roller bearings, Stud type track rollers, With axial guidance, full complement bearing, sealing rings on both sides, inch size



Technical specification

DIMENSIONS, MM

d	4,826
D	12,700
B	26,194
B1	10,319
B2	15,875
F	NO. 10-32

WEIGHT, KG 0,010

MANUFACTURER [IKO](#)

INTERCHANGE

ABC	CR 8-1 VUUR
TORRINGTON	CRSC-8-1
INA	CF 8-1 PPY
McGill	CCF-1/2-S

CALCULATION DATA

Basic dynamic load rating, C	4,710 kN
Basic static load rating, Co	5,410 kN