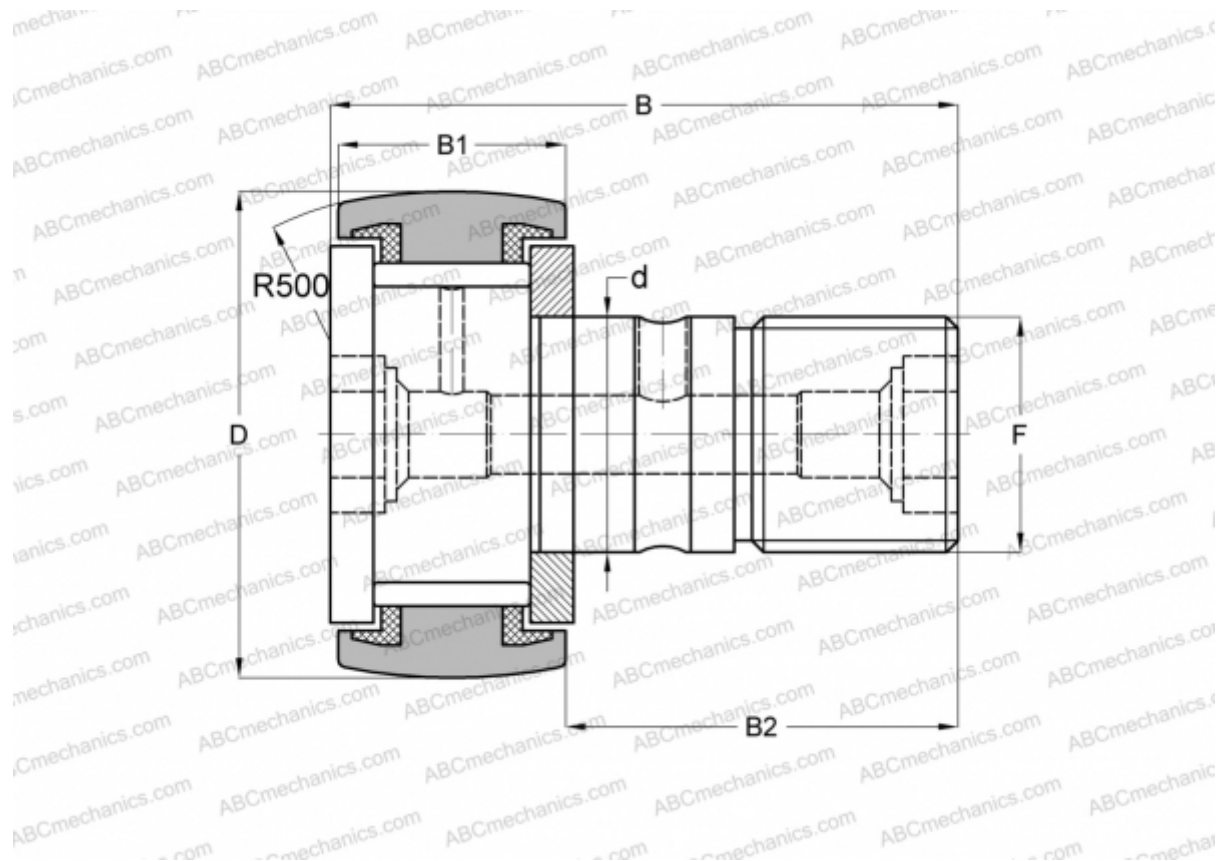


## CR 12 VUUR IKO

Cam followers

TYPE: Roller bearings, Stud type track rollers, With axial guidance, full complement bearing, sealing rings on both sides, inch size



### Technical specification

#### DIMENSIONS, MM

d	9,525
D	19,050
B	35,719
B1	13,494
B2	22,225
F	3/8-24

**WEIGHT, KG** 0,035

**MANUFACTURER** [IKO](#)

#### INTERCHANGE

ABC	<a href="#">CR 12 VUUR</a>
TORRINGTON	<a href="#">CRSC-12</a>
INA	<a href="#">CF 12 PPY</a>
McGill	<a href="#">CCF-3/4-S</a>

#### CALCULATION DATA

Basic dynamic load rating, C	8,710 kN
Basic static load rating, Co	12,300 kN