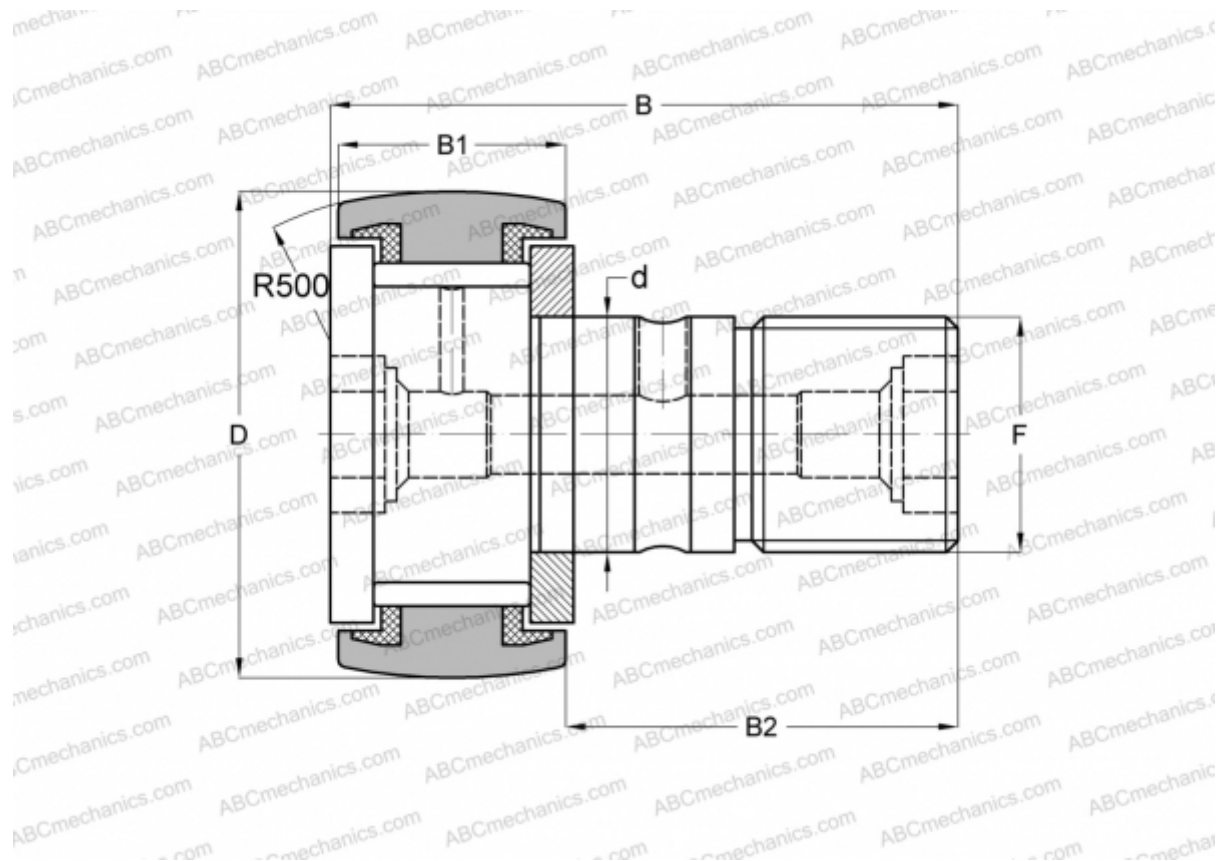


CF 16 PPY INA

Cam followers

TYPE: Roller bearings, Stud type track rollers, With axial guidance, full complement bearing, sealing rings on both sides, inch size



Technical specification

DIMENSIONS, MM

d	11,112
D	25,400
B	42,069
B1	16,669
B2	25,400
F	7/16-20

WEIGHT, KG 0,073

MANUFACTURER [INA](#)

INTERCHANGE

ABC	CR 16 VUUR
IKO	CR 16 VUUR
TORRINGTON	CRSC-16
McGill	CCF-1-S