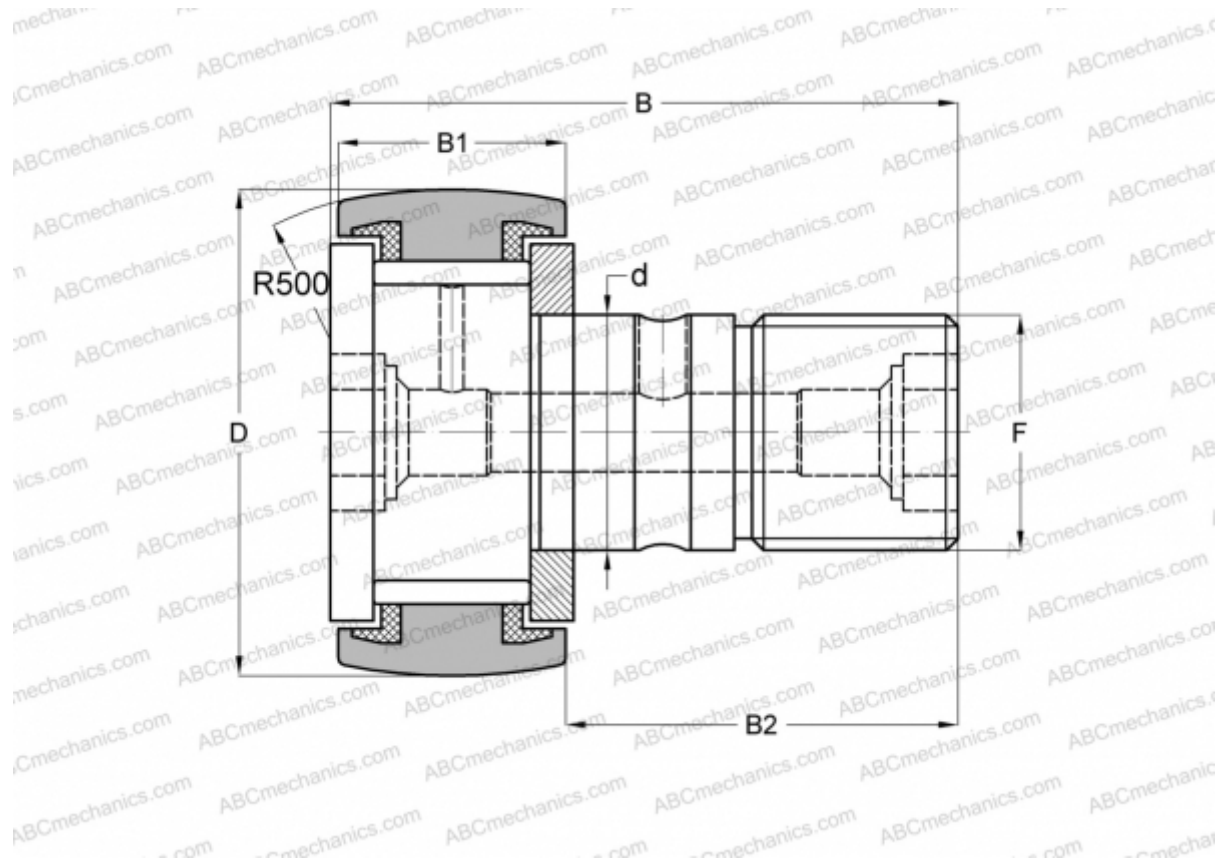


## CR 20 VUUR IKO

Cam followers

TYPE: Roller bearings, Stud type track rollers, With axial guidance, full complement bearing, sealing rings on both sides, inch size



### Technical specification

#### DIMENSIONS, MM

d	12,700
D	31,750
B	51,594
B1	19,844
B2	31,750
F	1/2-20

**WEIGHT, KG** 0,132

**MANUFACTURER** [IKO](#)

#### INTERCHANGE

ABC	<a href="#">CR 20 VUUR</a>
TORRINGTON	<a href="#">CRSC-20</a>
INA	<a href="#">CF 20 PPY</a>
McGill	<a href="#">CCF-1 1/4-S</a>

#### CALCULATION DATA

Basic dynamic load rating, C	23,600 kN
Basic static load rating, Co	31,700 kN