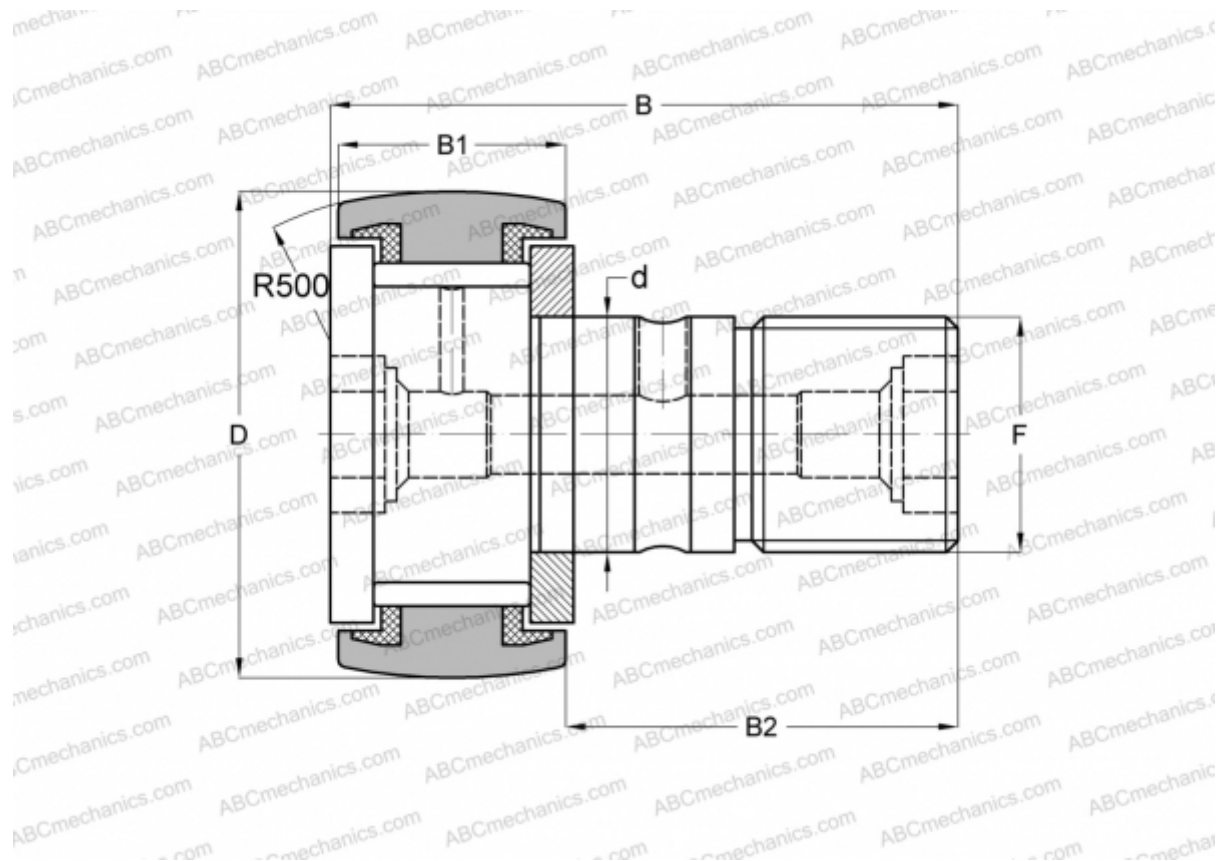


CR 22 VUUR IKO

Cam followers

TYPE: Roller bearings, Stud type track rollers, With axial guidance, full complement bearing, sealing rings on both sides, inch size



Technical specification

DIMENSIONS, MM

d	12,700
D	34,925
B	51,594
B1	19,844
B2	31,750
F	1/2-20

WEIGHT, KG 0,157

MANUFACTURER [IKO](#)

INTERCHANGE

ABC	CR 22 VUUR
TORRINGTON	CRSC-22
INA	CF 22 PPY
McGill	CCF-1 3/8-S

CALCULATION DATA

Basic dynamic load rating, C	23,600 kN
Basic static load rating, Co	31,700 kN