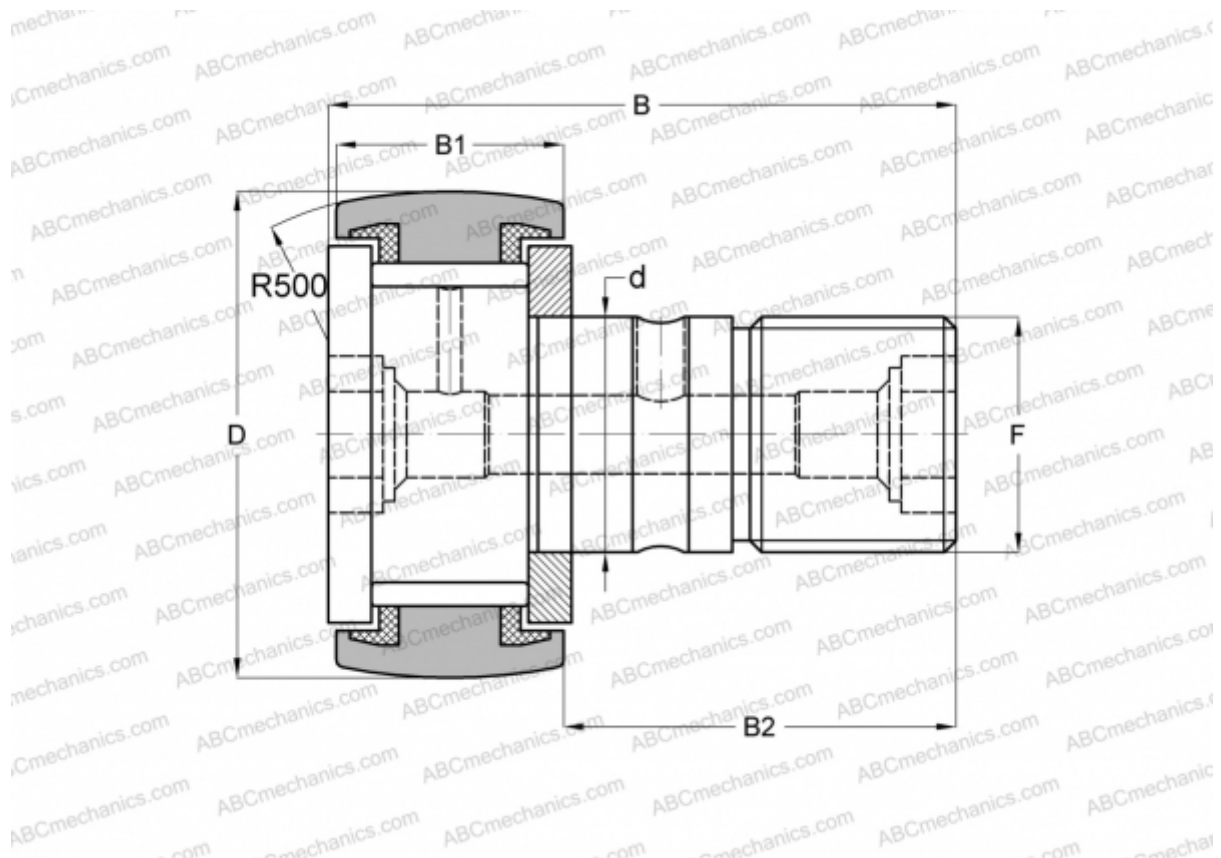


CR 48 VUUR ABC

Cam followers

TYPE: Roller bearings, Stud type track rollers, With axial guidance, full complement bearing, sealing rings on both sides, inch size



Technical specification

DIMENSIONS, MM

d	31,750
D	76,200
B	109,900
B1	46,400
B2	63,500
F	1 1/4-12

WEIGHT, KG 1,960

MANUFACTURER [ABC](#)

INTERCHANGE

IKO [CR 48 VUUR](#)