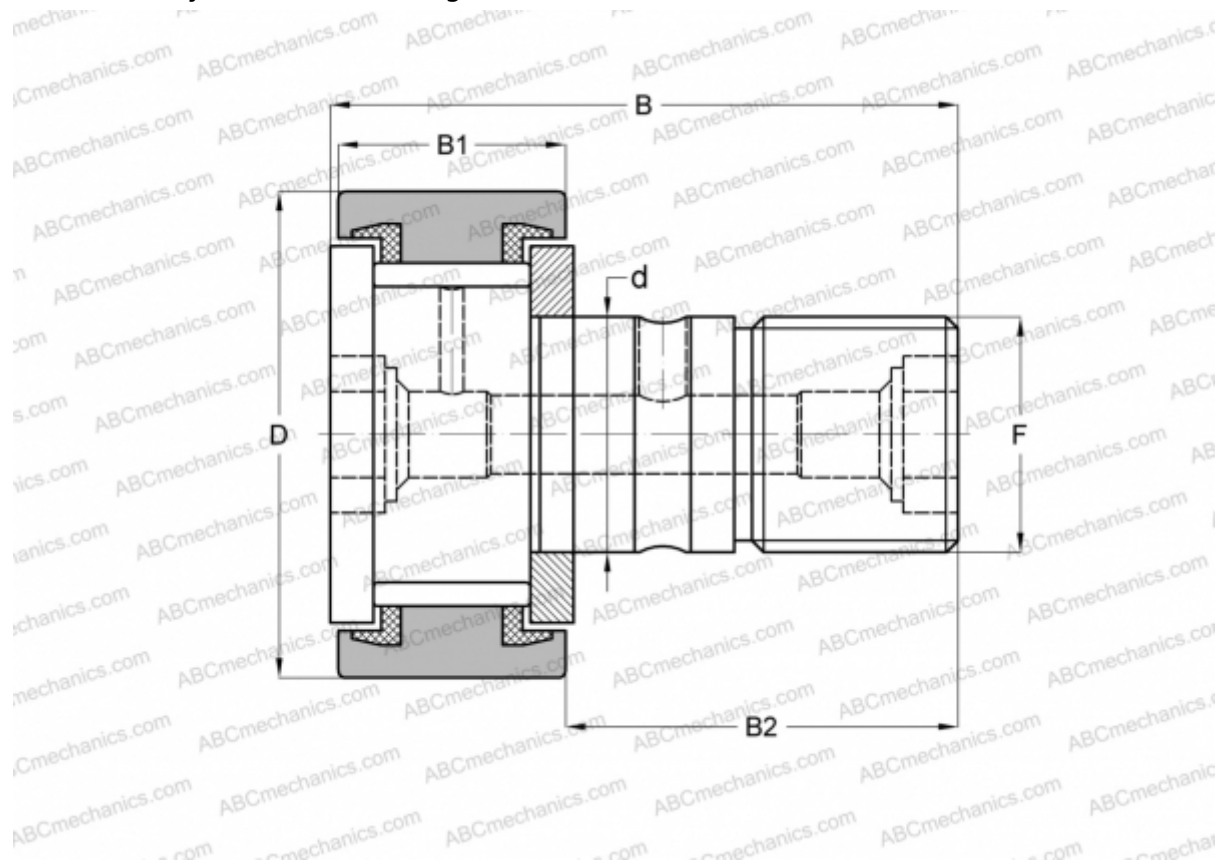


## CF 10-1 PP INA

Cam followers

TYPE: Roller bearings, Stud type track rollers, With axial guidance, full complement bearing, sealing rings on both sides, cylindrical outer ring, inch size



### Technical specification

#### DIMENSIONS, MM

d	6,350
D	15,875
B	30,956
B1	11,906
B2	19,050
F	1/4-28

**WEIGHT, KG** 0,021

**MANUFACTURER** [INA](#)

#### INTERCHANGE

ABC	<a href="#">CR 10-1 VUU</a>
IKO	<a href="#">CR 10-1 VUU</a>
TORRINGTON	<a href="#">CRS-10-1</a>
McGill	<a href="#">CF-5/8-S</a>