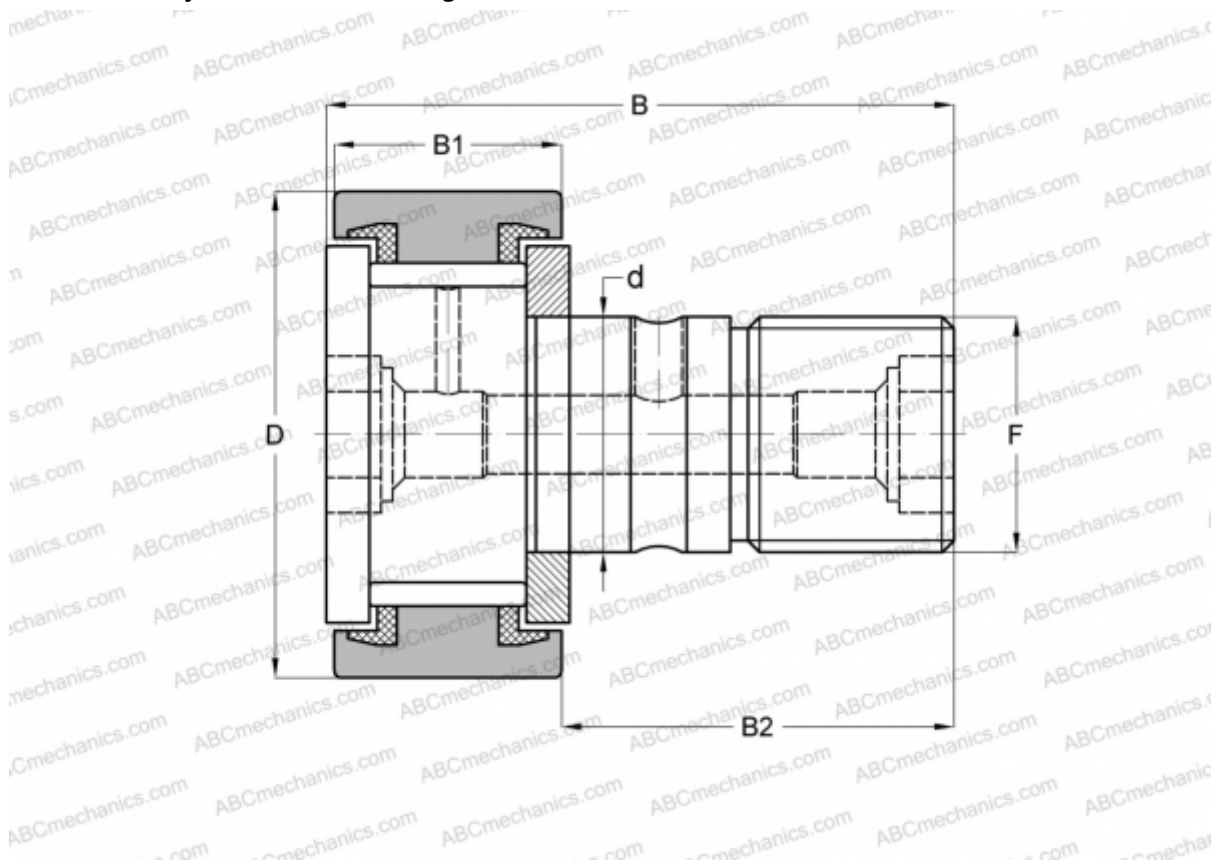


## CR 12 VUU ABC

Cam followers

TYPE: Roller bearings, Stud type track rollers, With axial guidance, full complement bearing, sealing rings on both sides, cylindrical outer ring, inch size



### Technical specification

#### DIMENSIONS, MM

d	9,525
D	19,050
B	35,719
B1	13,494
B2	22,225
F	3/8-24

**WEIGHT, KG** 0,035

**MANUFACTURER** [ABC](#)

#### INTERCHANGE

IKO	<a href="#">CR 12 VUU</a>
TORRINGTON	<a href="#">CRS-12</a>
INA	<a href="#">CF 12 PP</a>
McGill	<a href="#">CF-3/4-S</a>