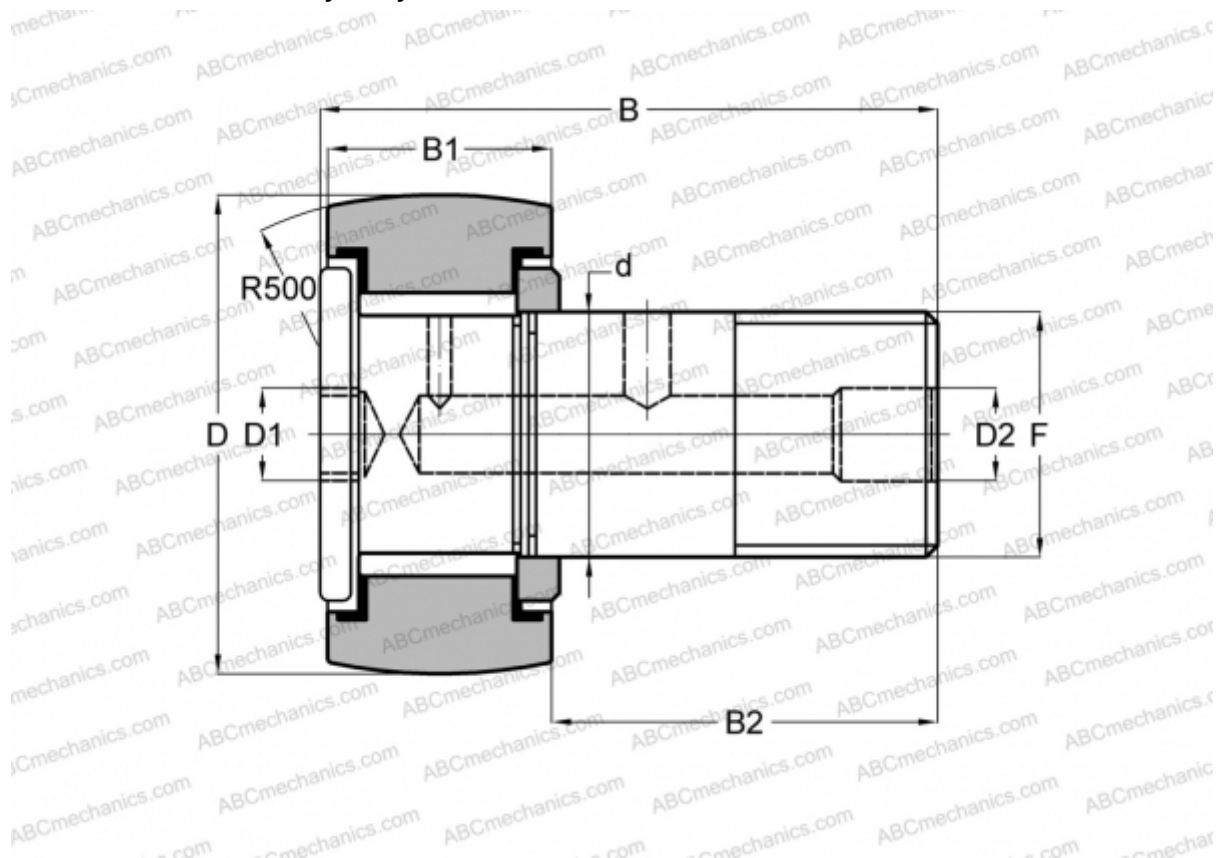


## CRH 11 V(B)R ABC

Cam followers

TYPE: Roller bearings, Stud type track rollers, With axial guidance, full complement bearing, gap seal on both side, hex socket, heavy duty, inch size



### Technical specification

#### DIMENSIONS, MM

d	7,938
D	17,462
B	31,750
B1	12,800
B2	18,950
F	5/16-24

**WEIGHT, KG** 0,027

**MANUFACTURER** [ABC](#)

#### INTERCHANGE

IKO	<a href="#">CRH 11 V(B)R</a>
McGill	<a href="#">CFH 11/16 (B)</a>