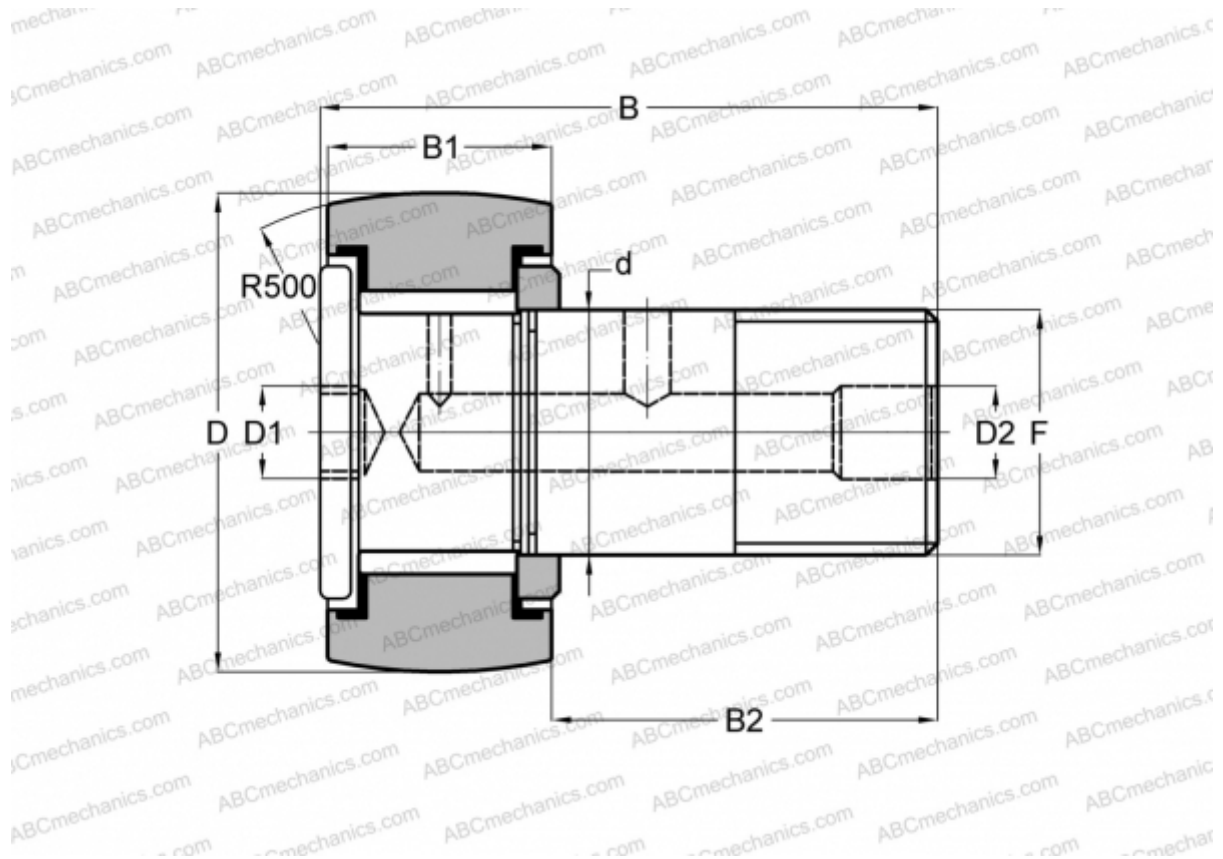


CRH 11 V(B)R IKO

Cam followers

TYPE: Roller bearings, Stud type track rollers, With axial guidance, full complement bearing, gap seal on both side, hex socket, heavy duty, inch size



Technical specification

DIMENSIONS, MM

d	7,938
D	17,462
B	31,750
B1	12,800
B2	18,950
F	5/16-24

WEIGHT, KG 0,027

MANUFACTURER [IKO](#)

INTERCHANGE

ABC	CRH 11 V(B)R
McGill	CFH 11/16 (B)

CALCULATION DATA

Basic dynamic load rating, C	6,340 kN
------------------------------	----------

CALCULATION DATA

Basic static load rating, Co	8,530 kN
------------------------------	----------