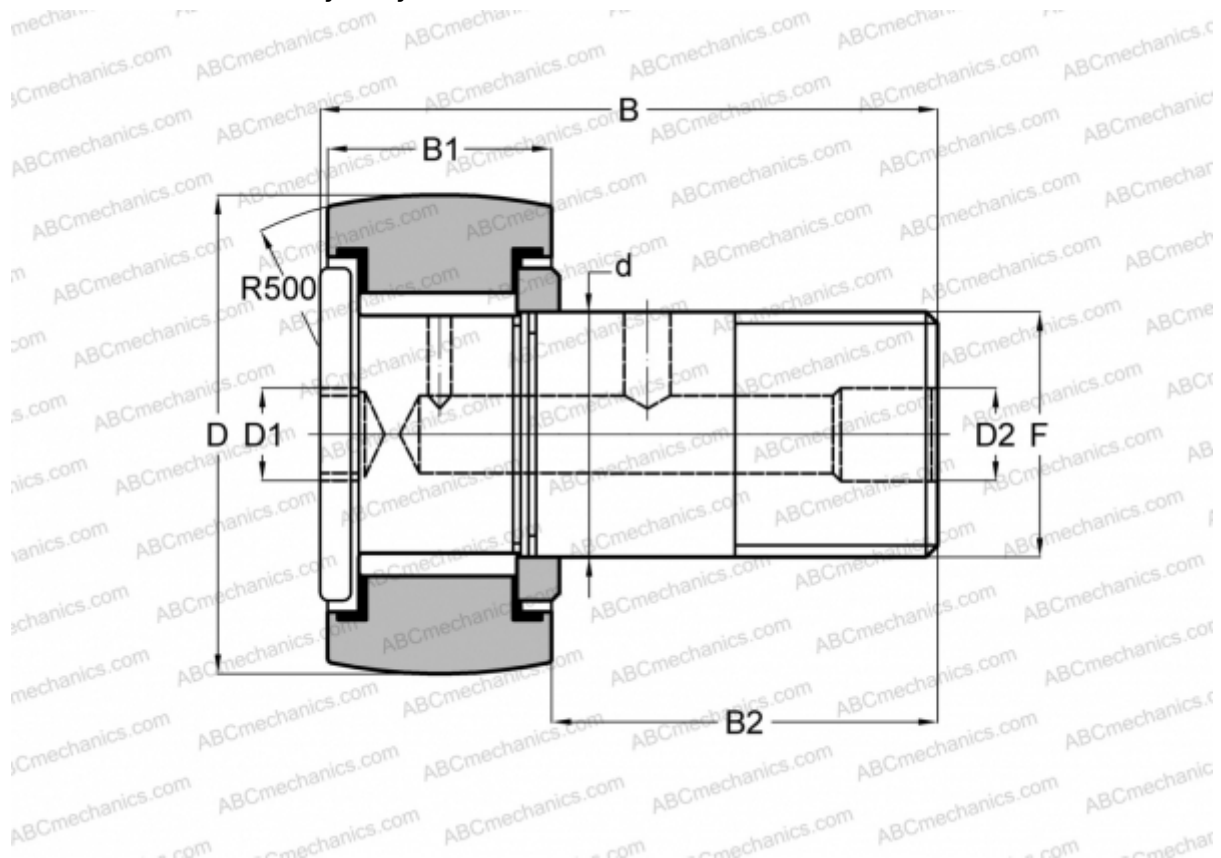


CFH 11/16 (B) McGill

Cam followers

TYPE: Roller bearings, Stud type track rollers, With axial guidance, full complement bearing, gap seal on both side, hex socket, heavy duty, inch size



Technical specification

DIMENSIONS, MM

| | |
|----|---------|
| d | 7,938 |
| D | 17,462 |
| B | 31,750 |
| B1 | 12,800 |
| B2 | 18,950 |
| F | 5/16-24 |

WEIGHT, KG 0,027

MANUFACTURER [McGill](#)

INTERCHANGE

| | |
|-----|------------------------------|
| ABC | CRH 11 V(B)R |
| IKO | CRH 11 V(B)R |