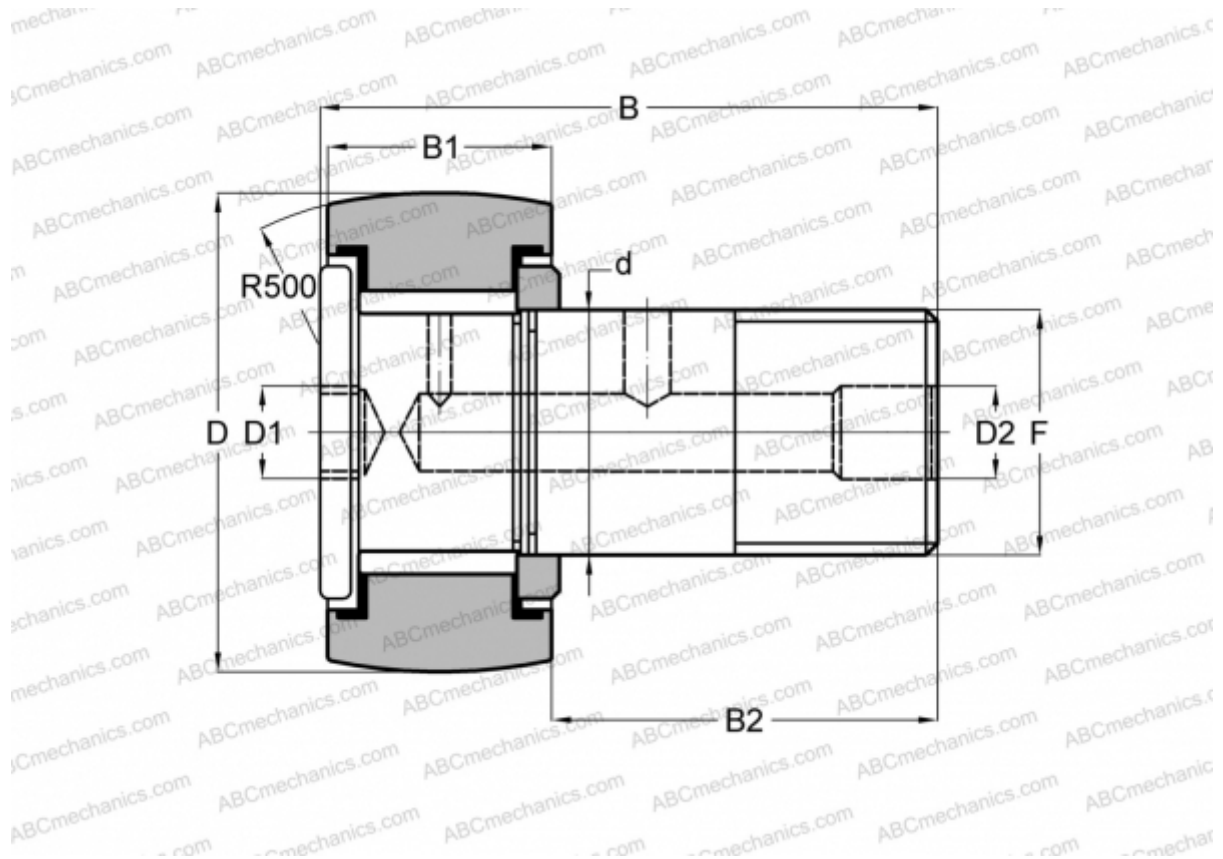


## CRH 22 V(B)R IKO

Cam followers

TYPE: Roller bearings, Stud type track rollers, With axial guidance, full complement bearing, gap seal on both side, hex socket, heavy duty, inch size



### Technical specification

#### DIMENSIONS, MM

d	19,050
D	34,925
B	49,660
B1	21,000
B2	28,660
F	3/4-16

**WEIGHT, KG** 0,200

**MANUFACTURER** [IKO](#)

#### INTERCHANGE

ABC	<a href="#">CRH 22 V(B)R</a>
McGill	<a href="#">CFH 1 3/8 (B)</a>

#### CALCULATION DATA

Basic dynamic load rating, C	23,600 kN
------------------------------	-----------

#### CALCULATION DATA

Basic static load rating, Co	31,700 kN
------------------------------	-----------