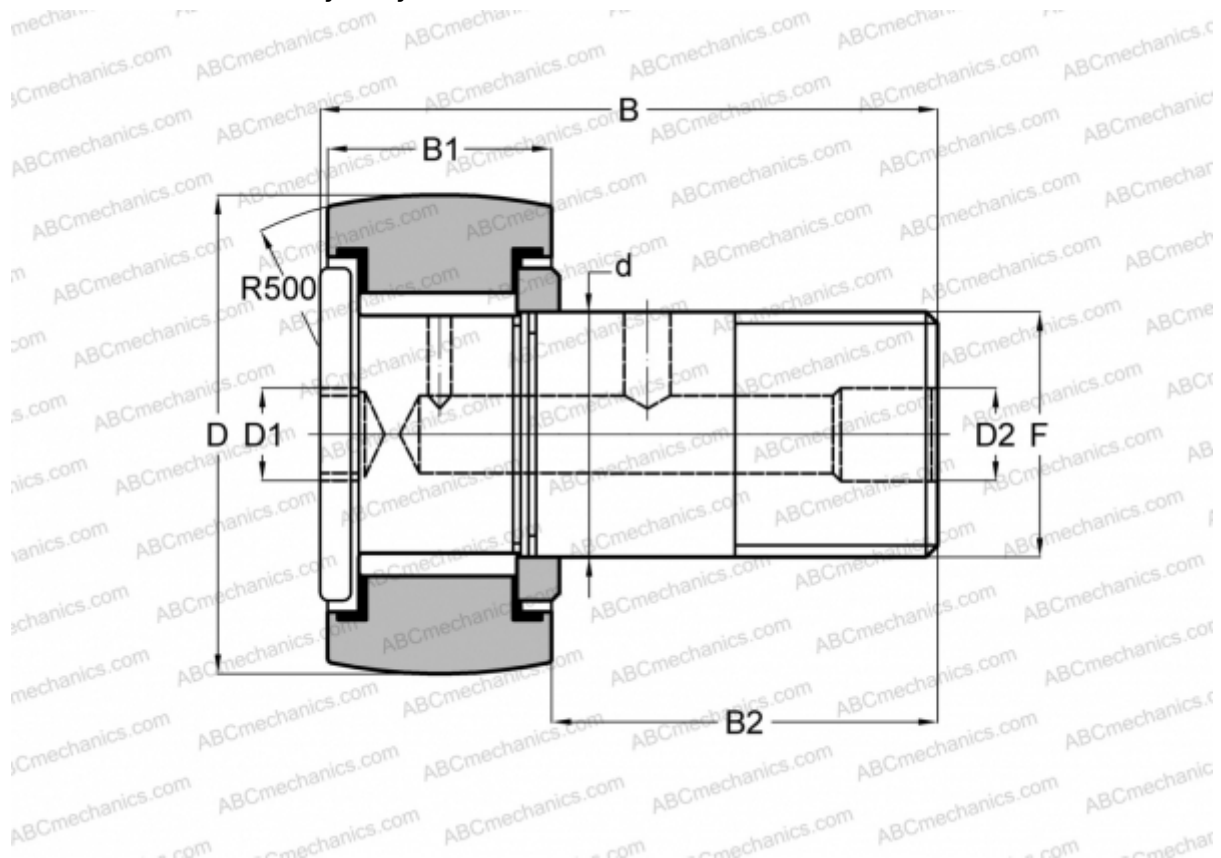


## CFH 1 1/2 (B) McGill

Cam followers

TYPE: Roller bearings, Stud type track rollers, With axial guidance, full complement bearing, gap seal on both side, hex socket, heavy duty, inch size



### Technical specification

#### DIMENSIONS, MM

d	22,225
D	38,100
B	62,480
B1	24,300
B2	38,180
F	7/8-14

**WEIGHT, KG** 0,296

**MANUFACTURER** [McGill](#)

#### INTERCHANGE

ABC	<a href="#">CRH 24 V(B)R</a>
IKO	<a href="#">CRH 24 V(B)R</a>