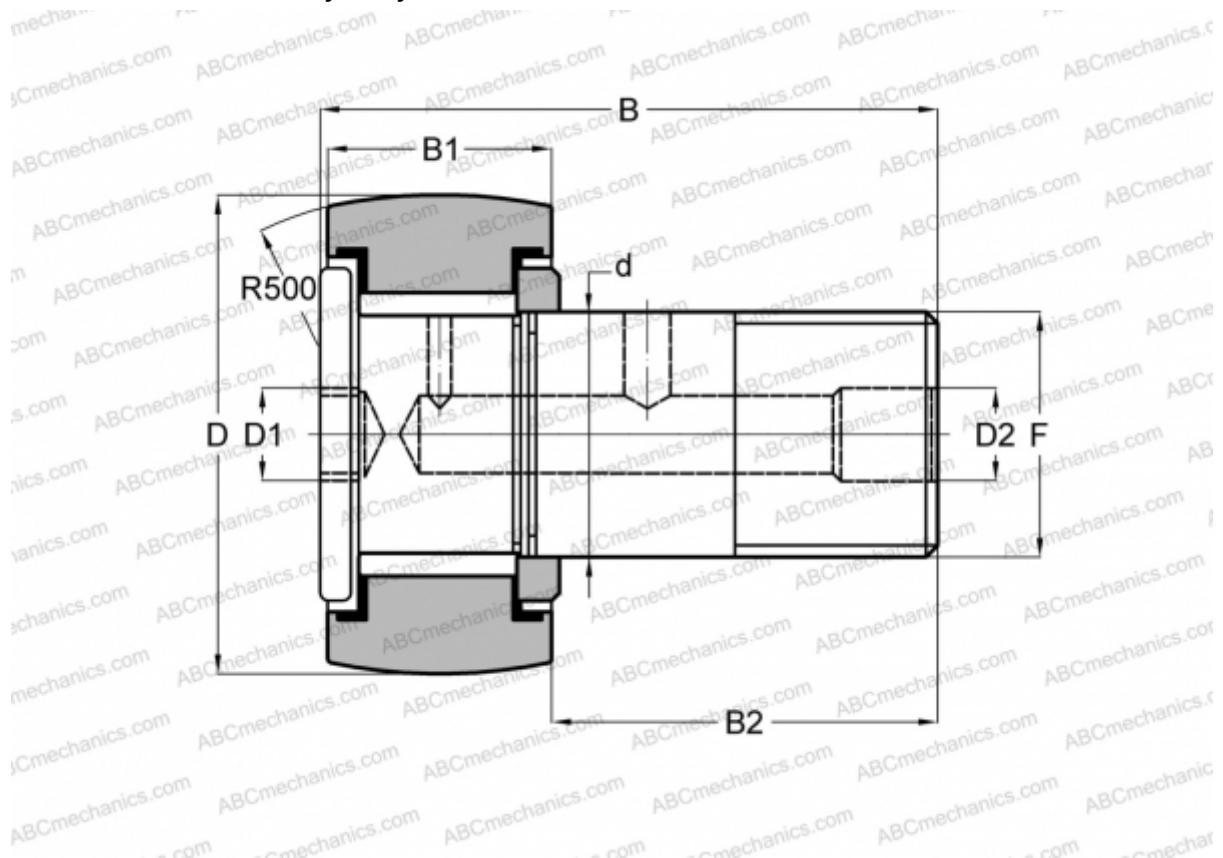


## CRH 26 V(B)R ABC

Cam followers

TYPE: Roller bearings, Stud type track rollers, With axial guidance, full complement bearing, gap seal on both side, hex socket, heavy duty, inch size



### Technical specification

#### DIMENSIONS, MM

d	22,225
D	41,275
B	62,480
B1	24,300
B2	38,180
F	7/8-14

**WEIGHT, KG** 0,329

**MANUFACTURER** [ABC](#)

#### INTERCHANGE

IKO	<a href="#">CRH 26 V(B)R</a>
McGill	<a href="#">CFH 1 5/8 (B)</a>