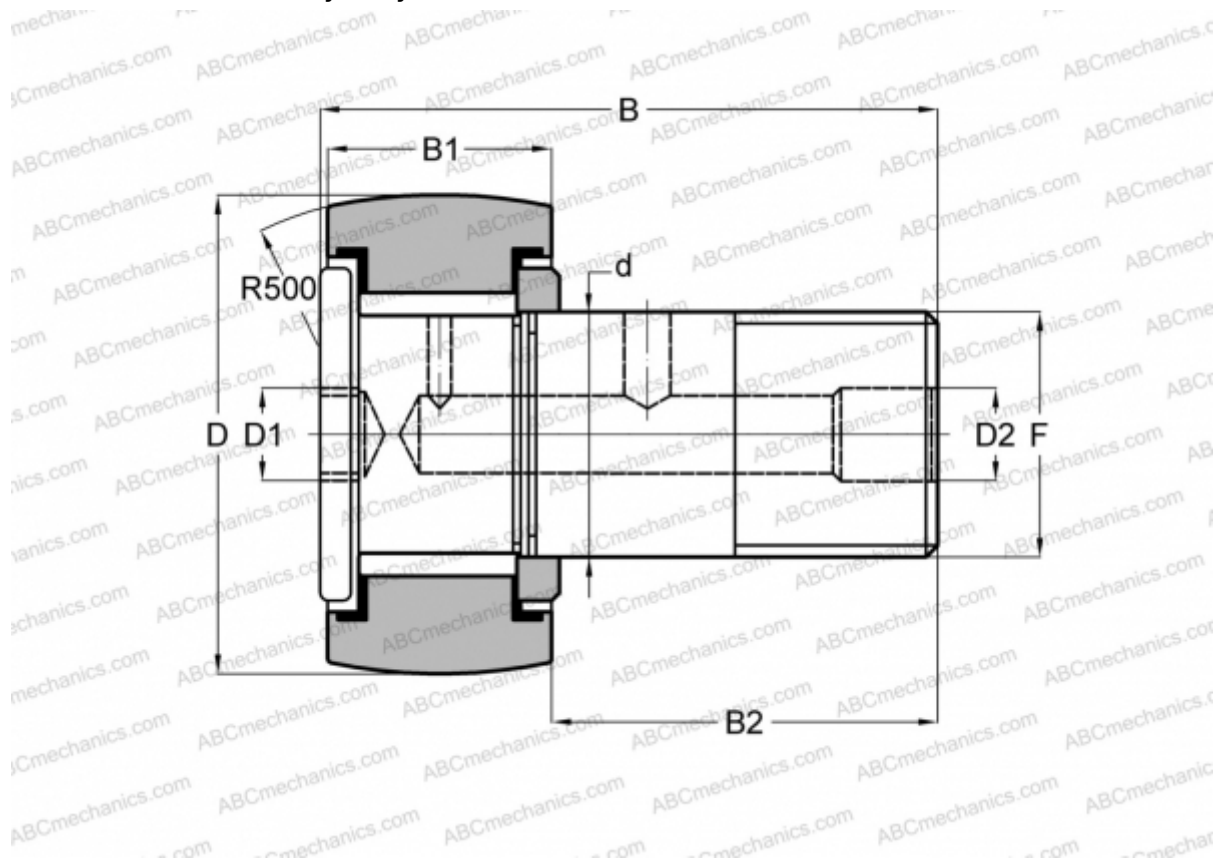


CRH 28 V(B)R ABC

Cam followers

TYPE: Roller bearings, Stud type track rollers, With axial guidance, full complement bearing, gap seal on both side, hex socket, heavy duty, inch size



Technical specification

DIMENSIONS, MM

d	25,400
D	44,450
B	71,880
B1	27,400
B2	44,480
F	1-14UNS

WEIGHT, KG 0,463

MANUFACTURER [ABC](#)

INTERCHANGE

IKO	CRH 28 V(B)R
McGill	CFH 1 3/4 (B)