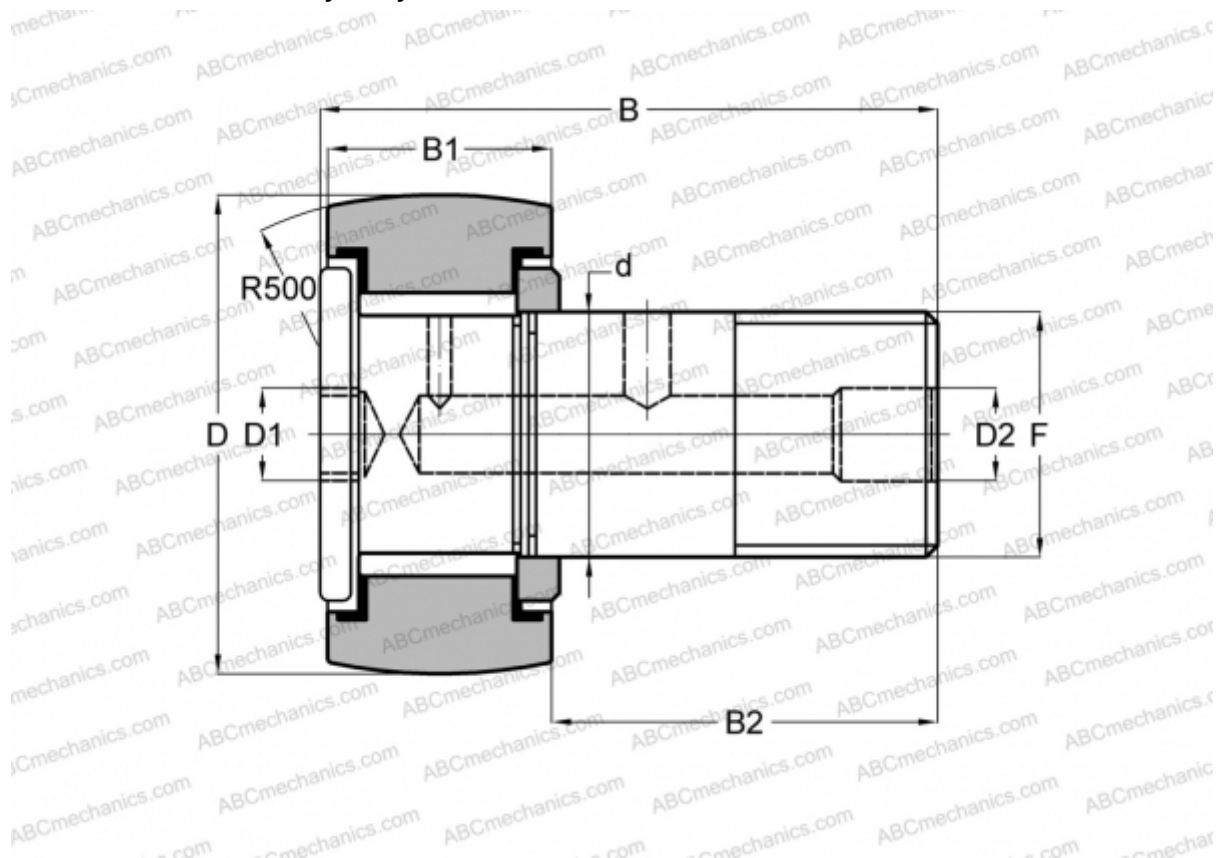


## CFH 1 3/4 (B) McGill

Cam followers

TYPE: Roller bearings, Stud type track rollers, With axial guidance, full complement bearing, gap seal on both side, hex socket, heavy duty, inch size



### Technical specification

#### DIMENSIONS, MM

d	25,400
D	44,450
B	71,880
B1	27,400
B2	44,480
F	1-14UNS

**WEIGHT, KG** 0,463

**MANUFACTURER** [McGill](#)

#### INTERCHANGE

ABC	<a href="#">CRH 28 V(B)R</a>
IKO	<a href="#">CRH 28 V(B)R</a>