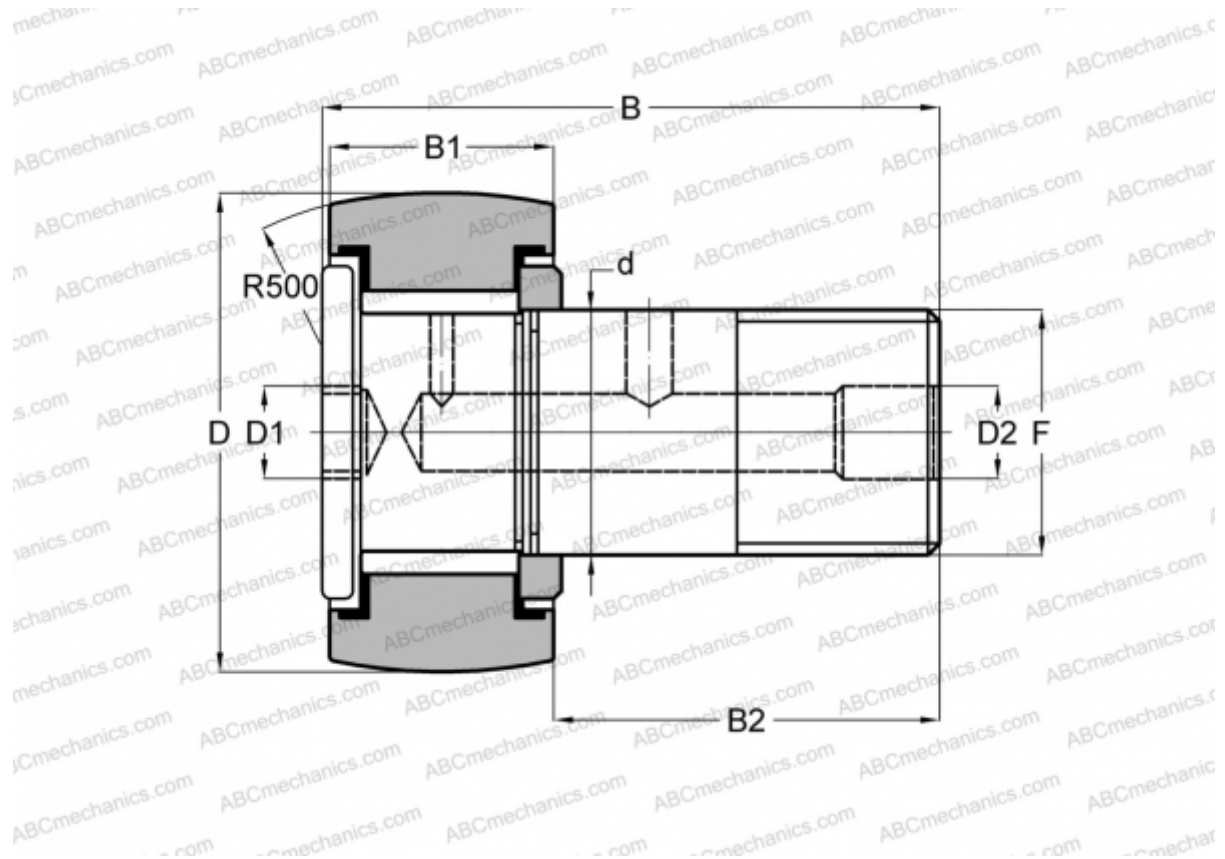


CRH 32 V(B)R IKO

Cam followers

TYPE: Roller bearings, Stud type track rollers, With axial guidance, full complement bearing, gap seal on both side, hex socket, heavy duty, inch size



Technical specification

DIMENSIONS, MM

d	28,575
D	50,800
B	85,090
B1	34,200
B2	50,890
F	1 1/8-12

WEIGHT, KG 0,722

MANUFACTURER [IKO](#)

INTERCHANGE

ABC	CRH 32 V(B)R
McGill	CFH 2 (B)

CALCULATION DATA

Basic dynamic load rating, C	45,700 kN
------------------------------	-----------

CALCULATION DATA

Basic static load rating, Co	80,600 kN
------------------------------	-----------