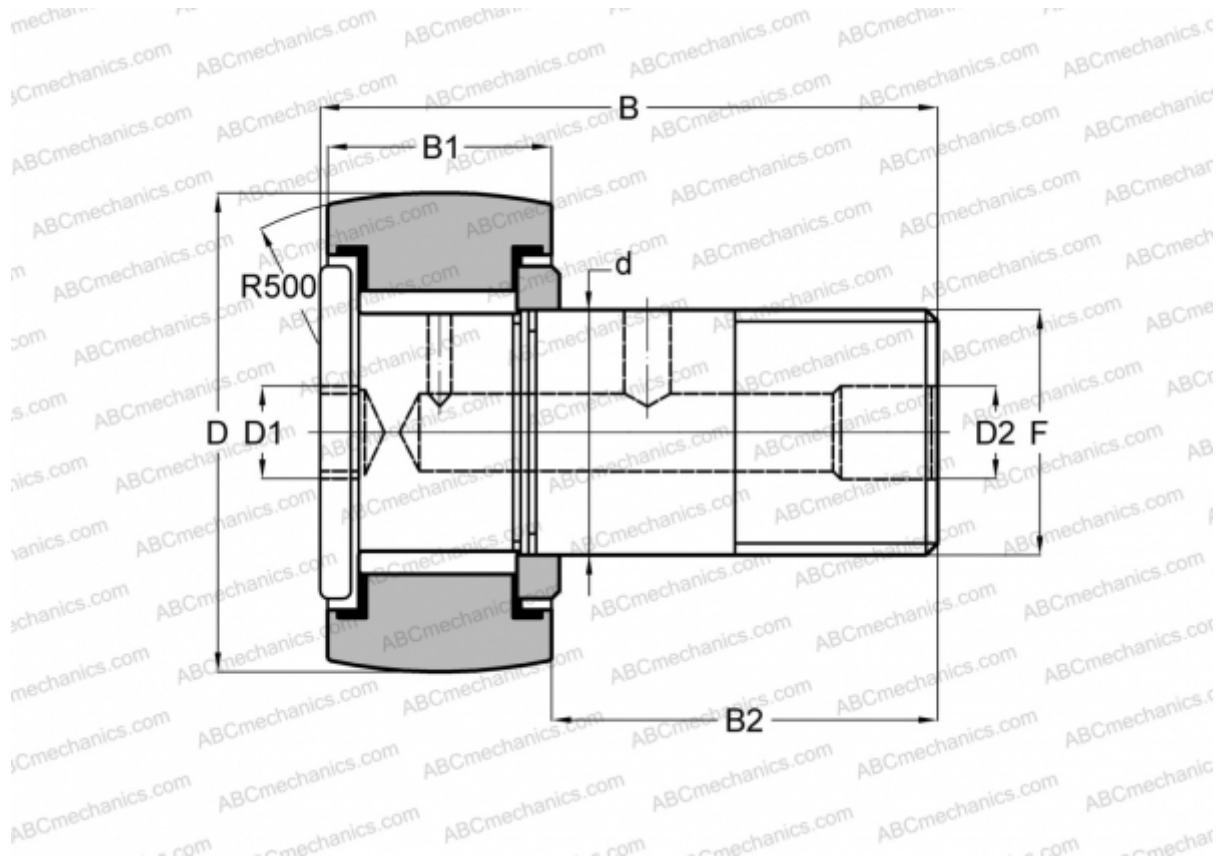


## CRH 48 V(B)R ABC

Cam followers

TYPE: Roller bearings, Stud type track rollers, With axial guidance, full complement bearing, gap seal on both side, hex socket, heavy duty, inch size



### Technical specification

#### DIMENSIONS, MM

d	38,100
D	76,200
B	109,980
B1	46,400
B2	63,580
F	1 1/2-12

**WEIGHT, KG** 2,100

**MANUFACTURER** [ABC](#)

#### INTERCHANGE

IKO	<a href="#">CRH 48 V(B)R</a>
McGill	<a href="#">CFH 3 (B)</a>