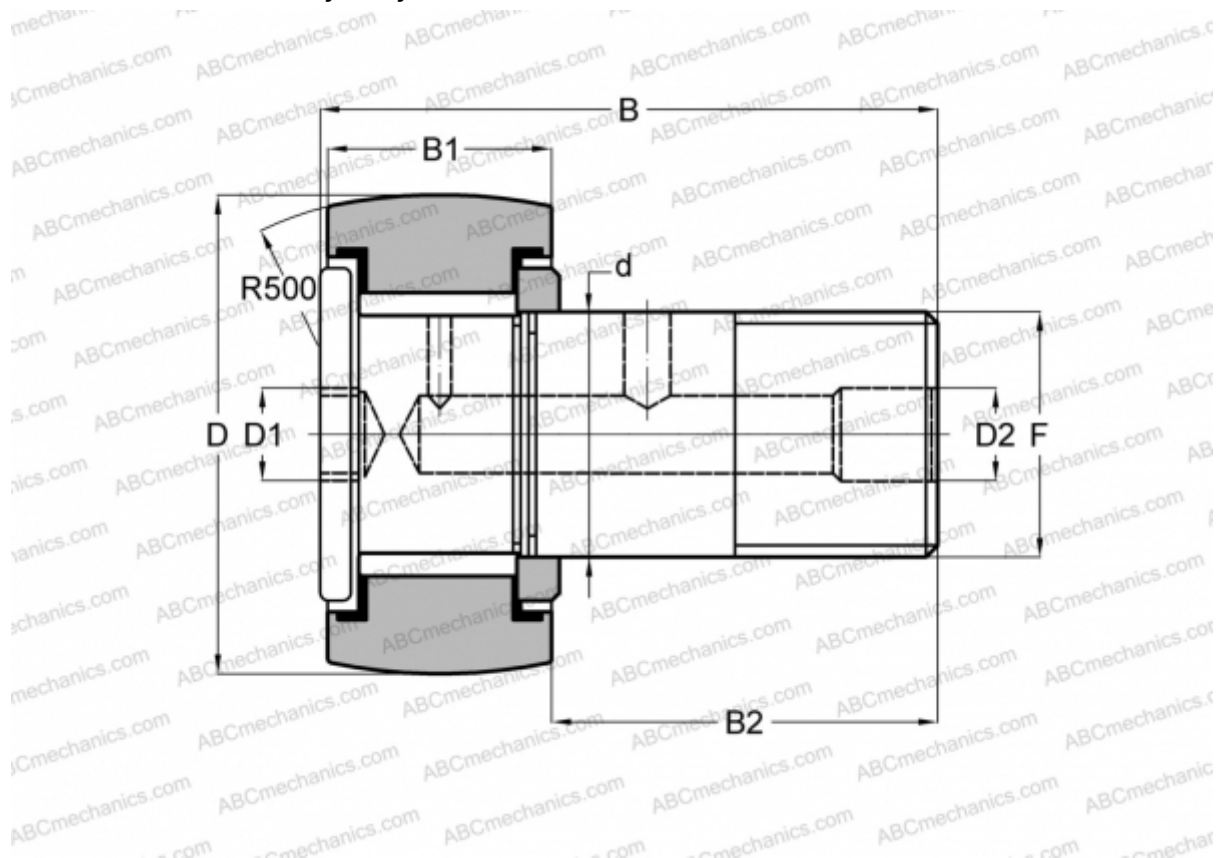


CRH 52 V(B)R ABC

Cam followers

TYPE: Roller bearings, Stud type track rollers, With axial guidance, full complement bearing, gap seal on both side, hex socket, heavy duty, inch size



Technical specification

DIMENSIONS, MM

d	38,100
D	82,550
B	109,980
B1	46,400
B2	63,580
F	1 1/2-12

WEIGHT, KG 2,380

MANUFACTURER [ABC](#)

INTERCHANGE

IKO	CRH 52 V(B)R
McGill	CFH 3 1/4 (B)